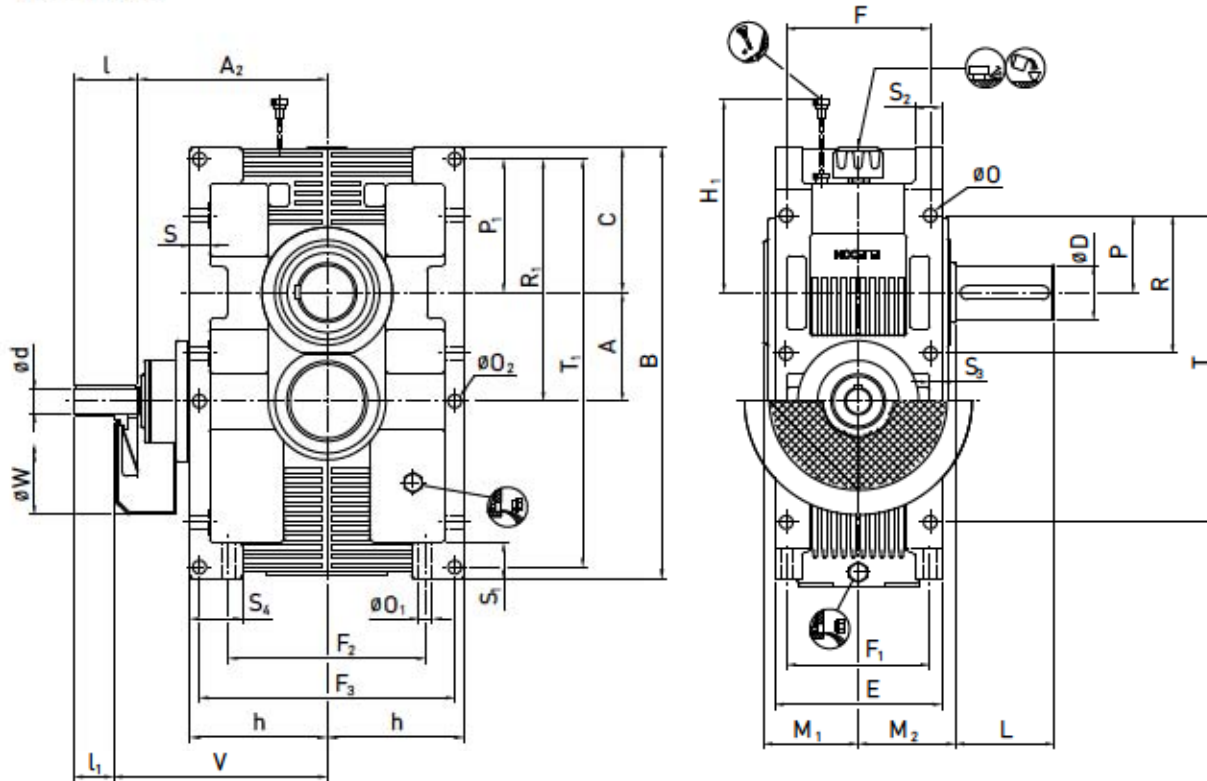


Type - C2U

Double Stage
Size 11 to 18

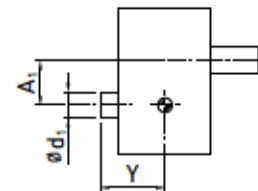
Under Driven

Compact Drive Gear Units



*For other shaft options refer page 125, 126 & 129 to 131

Size	Input Shaft						Output Shaft								Backstop			Average Weight [kg]	Oil Quantity [Litres]
	i = 5-12.5			i = 14-18															
	d	l	l ₁	d	l	l ₁	A ₂	V	W	D	L	M ₁	M ₂	A ₁	d ₁ ¹⁾	Y ²⁾			
C2..11	19	90	40	19	90	40	On Request		210	32	55	94	105	80	95	180	40	-	
C2..13	24	100	50	24	100	50			270	45	95	106	115	100	105	190	75	-	
C2..15	32	110	60	28	100	50			300	55	95	127	135	125	140	255	135	-	
C2..17	42	130	80	38	110	60			360	70	135	141	150	160	175	255	250	-	
C2..18	48	130	80	42	130	80			360	80	160	158	170	180	190	305	330	-	



Size	Foundation																						
	A	B	C	E	F	F ₁	F ₂	F ₃	h	O	O ₁	O ₂	P	P ₁	R	R ₁	S	S ₁	S ₂	S ₃	S ₄	T	T ₁
C2..11	80	356	140	180	150	105	100	160	100	14	14	14	50	124	95		24	50		14	66	215	324
C2..13	100	435	155	190	150	130	150	210	125	14	14	14	65	140	120		24	50		15	66	270	406
C2..15	125	520	182	228	170	170	210	270	160	14	14	14	95	165	170	290	24	52	45	15	70	355	486
C2..17	160	640	220	250	210	210	260	350	200	18	18	18	115	202	210	362	32	60	40	20	90	440	604
C2..18	180	716	246	284	230	230	310	400	225	18	18	18	135	224	240	404	32	66	45	20	90	505	672

Modification of dimensions reserved.

Shaft ends with keys according to DIN 6885, Part 1, Shape A.

Shaft centering according to DIN 332, Shape DS (with thread)

Tolerance field for Shaft ends ISO fit, up to Ø50 k6; over Ø50 m6.

1) Max. dimensions; details acc. to order related documents

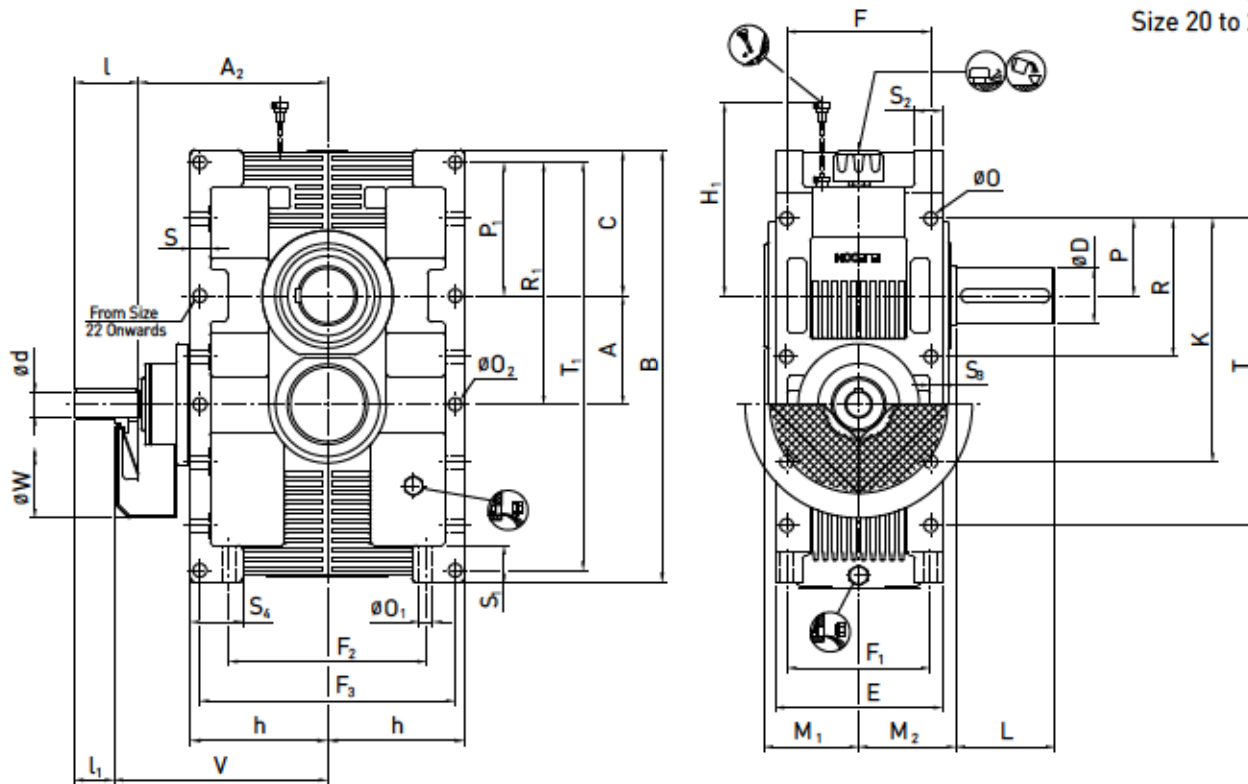
2) Approximate values; exact values acc. to order related documents

Compact Drive Gear Units

Under Driven

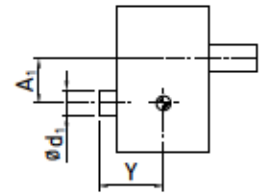
Type - C2U

Double Stage
Size 20 to 26



*For other shaft options refer page 125, 126 & 129 to 131

Size	Input Shaft						Output Shaft						Backstop			Average Weight (kg)	Oil Quantity (Litres)					
	i = 5-12.5		i = 5.6-14		i = 6.3-16		i = 14-18		i = 16-20		i = 18-22.4		D	L	M ₁			M ₂	A ₁	d ₁ ¹⁾	Y ¹⁾	
C2..20	58	135	85	52	135	85	A ₂	V	W	D	L	M ₁	M ₂	A ₁	d ₁ ¹⁾	Y ¹⁾	225	210	305	595	-	
C2..21	65	155	105	65	155	105	On Request		460	100	200	176	200	225	210	305	595	210	210	390	795	-
C2..22	70	155	105	70	155	105		530	110	200	210	220	250	245	390	795	-	250	245	390	1080	-
C2..23	85	180	130	80	180	130		550	140	250	234	260	315	290	390	1455	-	280	290	390	1455	-
C2..24	90	180	130	90	180	130		650	160	290	283	295	355	310	470	1960	-	315	310	470	1960	-
C2..25	100	220	170	100	220	170		700	170	300	293	305	400	310	470	2650	-	400	310	470	2650	-
C2..26	110	220	170	110	220	170		700	190	350	306	345	450	400	470	3570	-	400	470	3570	-	



Size	Foundation																							
	A	B	C	E	F	F ₁	F ₂	F ₃	h	K	O	O ₁	O ₂	P	P ₁	R	R ₁	S	S ₁	S ₂	S ₃	S ₄	T	T ₁
C2..20	225	893	303	314	270	270	400	500	280		23	23	23	165	276	290	501	36	78	45	24	105	635	839
C2..21	250	995	335	385	310	310	440	570	315		27	27	27	180	305	315	555	45	85	65	28	120	705	935
C2..22	280	1095	370	400	340	340	520	640	355		27	27	27	200	339	355	619	45	90	60	28	120	785	1033
C2..23	315	1250	425	450	380	380	570	720	400		33	33	33	220	386	405	701	55	110	70	35	150	875	1173
C2..24	355	1365	465	515	410	410	670	800	450		33	33	33	245	426	450	781	55	110	87.5	35	150	975	1287
C2..25	400	1505	510	535	460	460	770	900	500		33	33	33	280	474	510	874	55	110	80	35	150	1105	1432
C2..26	450	1710	580	600	510	510	850	1010	560	940	39	39	39	315	532	575	982	65	130	100	45	175	1245	1614

Modification of dimensions reserved.

Shaft ends with keys according to DIN 6885, Part 1, Shape A.

Shaft centering according to DIN 332, Shape DS (with thread)

Tolerance field for Shaft ends ISO fit, up to Ø50 k6; over Ø50 m6.

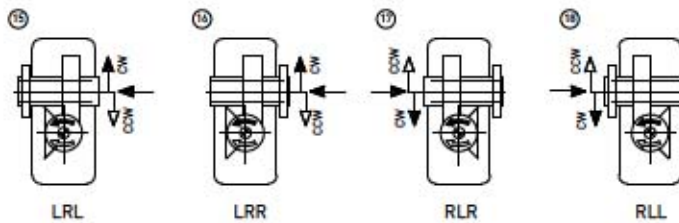
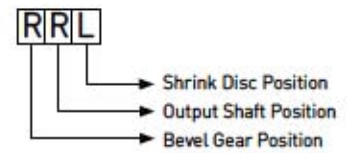
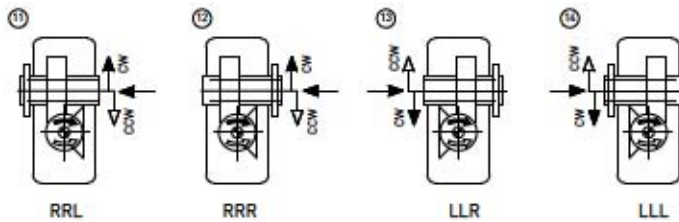
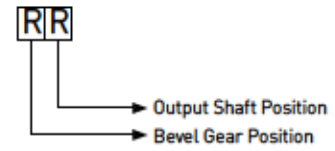
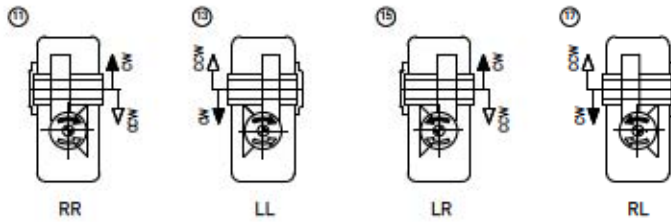
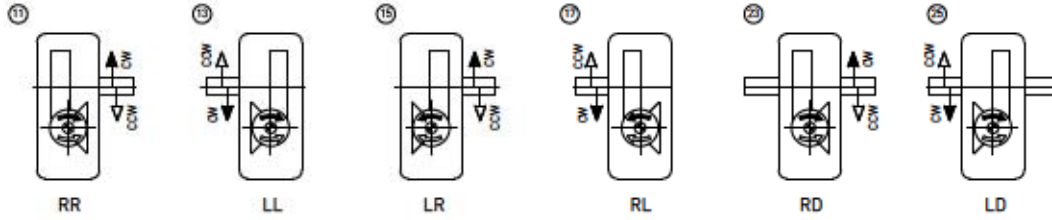
1) Max. dimensions; details acc. to order related documents

2) Approximate values; exact values acc. to order related documents

Type - C2
Double Stage

Shaft Arrangement

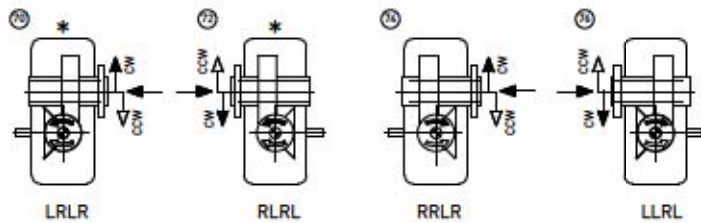
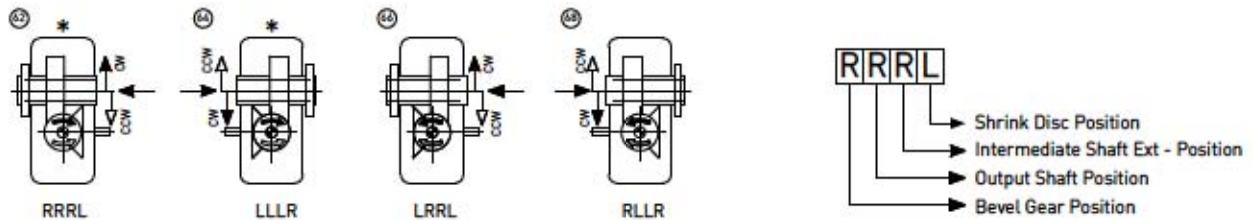
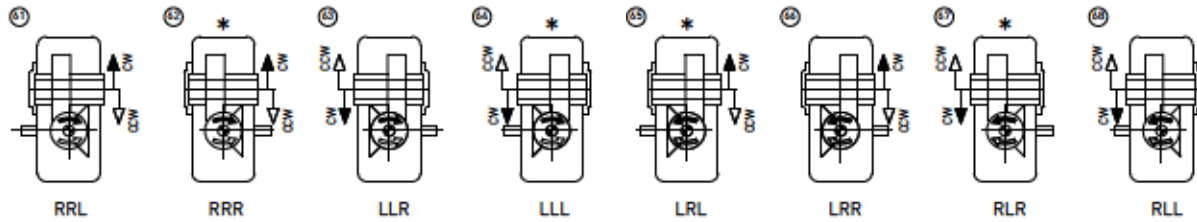
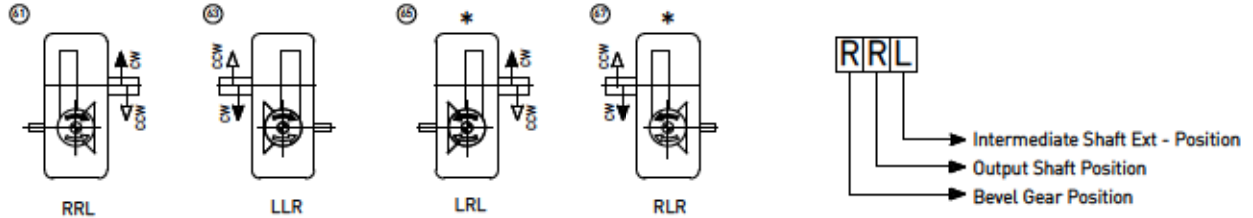
Compact Drive Gear Units



Compact Drive Gear Units

Shaft Arrangement - Int. Ext.

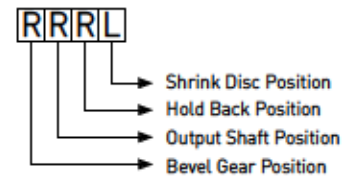
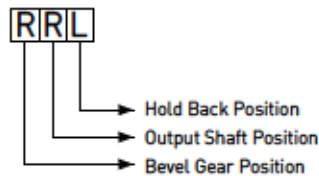
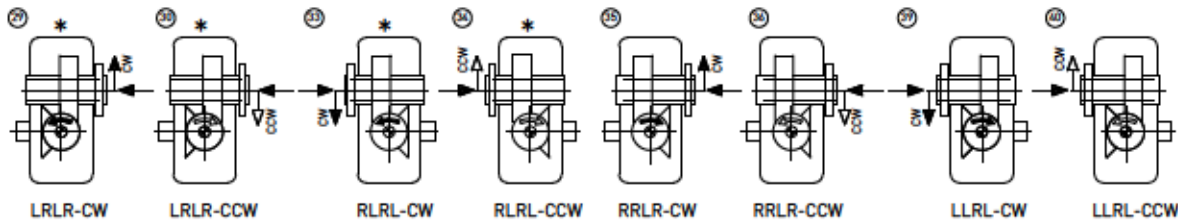
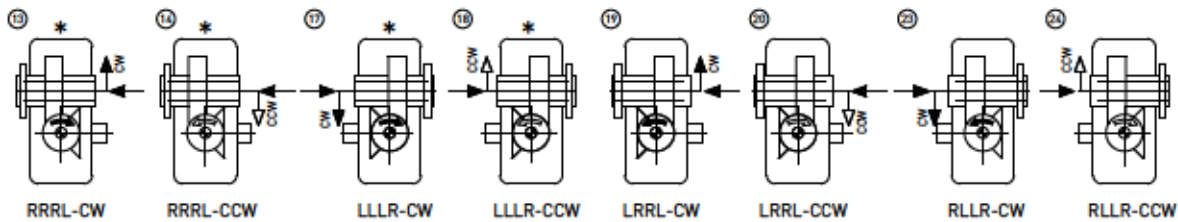
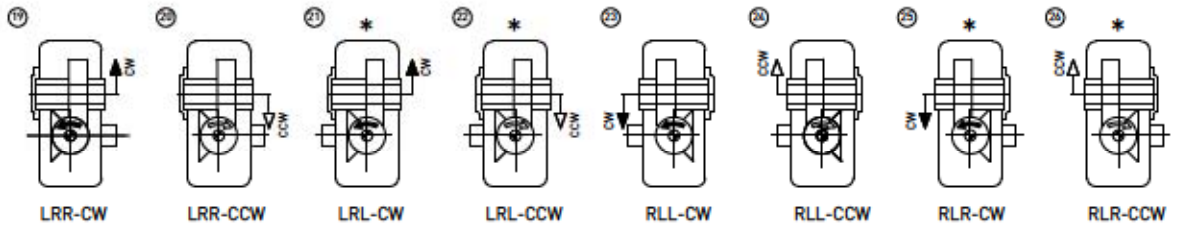
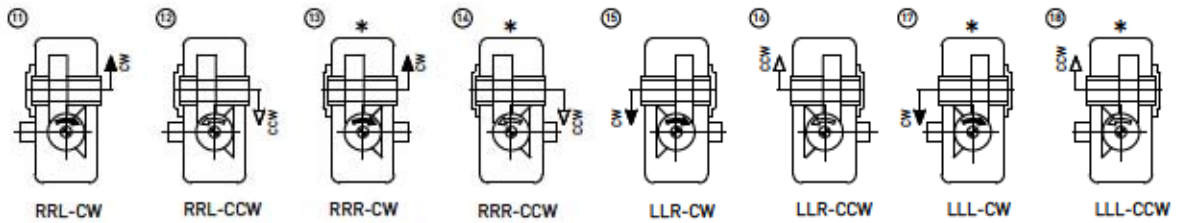
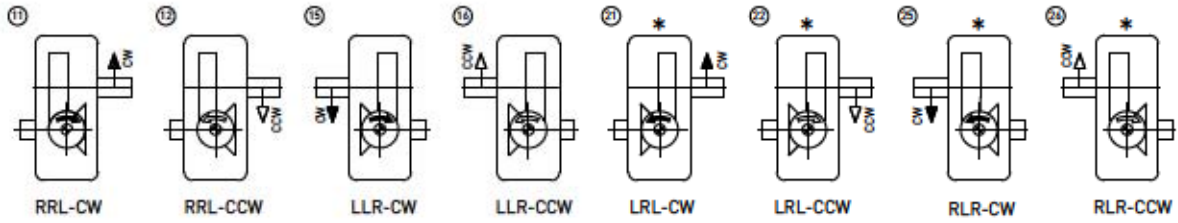
Type - C2
Double Stage



Type - C2
Double Stage

Shaft Arrangement

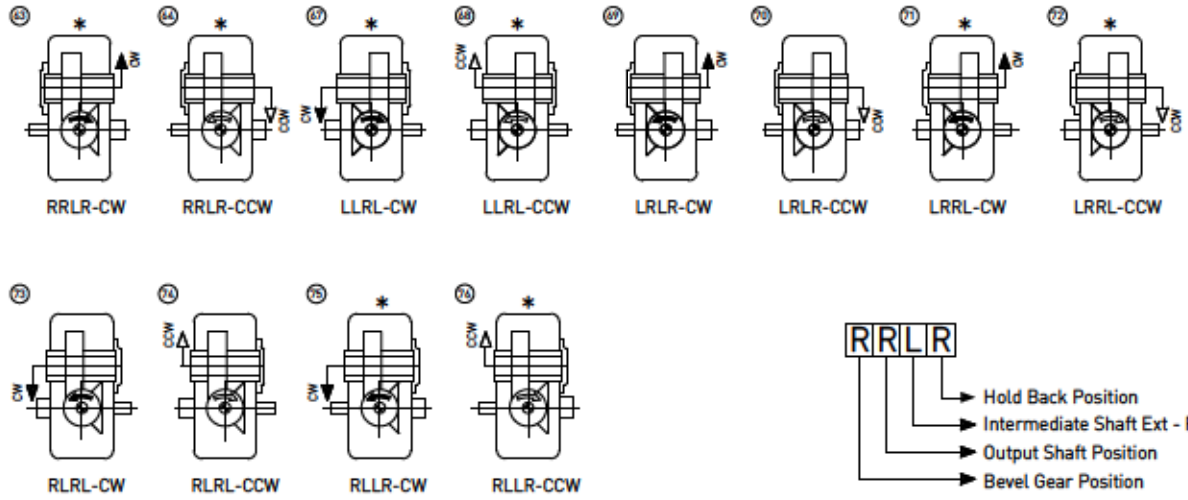
Compact Drive Gear Units



Compact Drive Gear Units

Shaft Arrangement - Int. Ext. & Hold Back

Type - C2
Double Stage

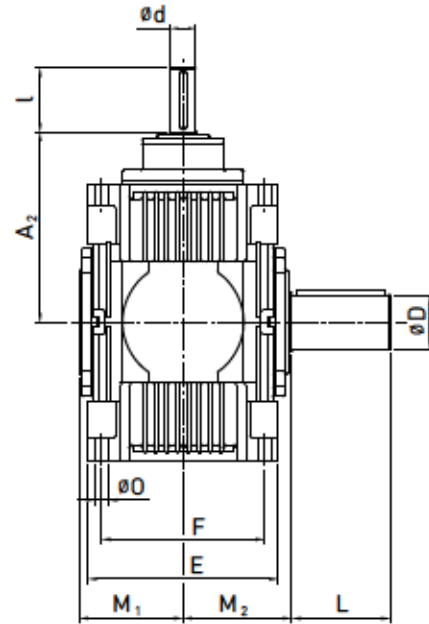
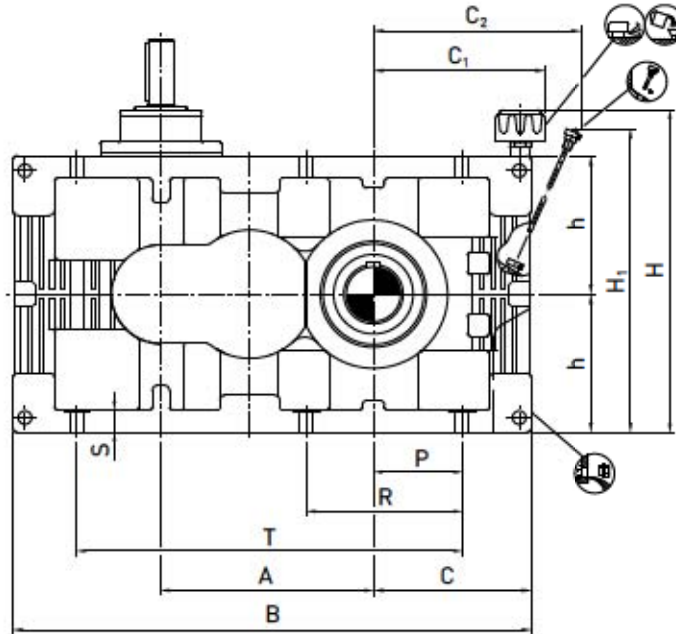


Type - C3H

Triple Stage
Size 14 to 18

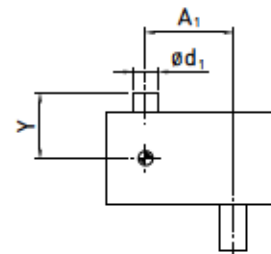
Horizontal Mounting

Compact Drive Gear Units



*For other shaft options refer page 125, 126 & 129 to 131

Size	Input Shaft i = 20-50 i = 22.4-63 i = 25-71		Input Shaft i = 56-71 i = 71-90 i = 80-100		Output Shaft				Backstop			Average Weight [kg]	Oil Quantity [litres]	
	d	l	d	l	A ₂	D	L	M ₁	M ₂	A ₁	d ₁ ¹⁾			Y ¹⁾
C3..14	19	90	19	90	195	48	95	106	125	190	90	180	105	3.5-
C3..15	24	100	24	100	205	55	95	127	135	215	95	215	145	4.5-
C3..16	24	100	24	100	240	60	130	133	145	240	95	215	195	6.5-
C3..17	28	100	24	100	260	70	135	141	150	270	95	215	265	9 -
C3..18	32	110	28	100	290	80	160	158	170	305	140	265	355	13 -



Size	Foundation														
	A	B	C	C ₁ ²⁾	C ₂ ²⁾	E	F	h	H ₁ ²⁾	H ₂ ²⁾	O	P	R	S	T
C3..14	190	488	162	198	194	190	150	125	278	330	14	80	140	24	345
C3..15	215	548	177	213	215	228	170	140	306	360	14	95	170	24	395
C3..16	240	615	195	228	231	233	190	160	327	400	14	110	195	24	450
C3..17	270	684	210	238	257	250	210	180	378	440	18	115	210	32	495
C3..18	305	764	236	263	281	284	230	200	404	480	18	135	240	32	565

Modification of dimensions reserved.

Shaft ends with keys according to DIN 6885, Part 1, Shape A.

Shaft centering according to DIN 332, Shape DS (with thread)

Tolerance field for Shaft ends ISO fit, up to Ø50 k6; over Ø50 m6.

1) Max. dimensions; details acc. to order related documents

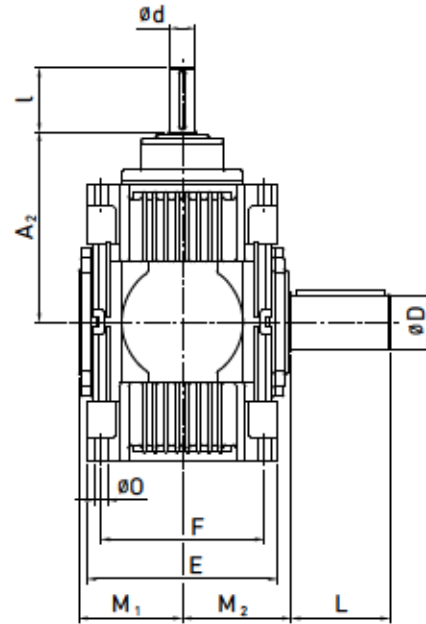
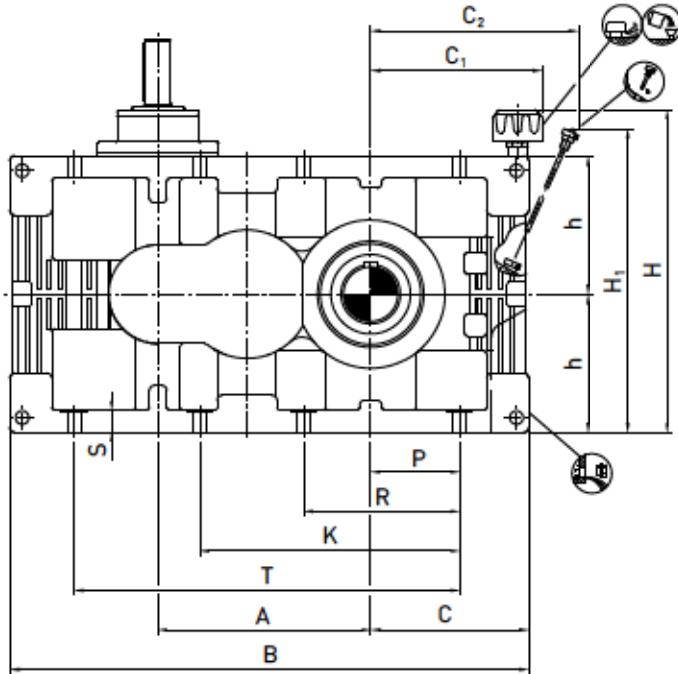
2) Approximate values; exact values acc. to order related documents

Compact Drive Gear Units

Horizontal Mounting

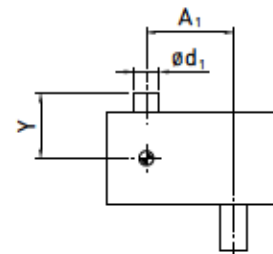
Type - C3H

Triple Stage
Size 19 to 26



*For other shaft options refer page 125, 126 & 129 to 131

Size	Input Shaft				A ₂	Output Shaft				Backstop			Average Weight [kg]	Oil Quantity [litres]
	i = 22.4-63 i = 25-71		i = 71-90 i = 80-100			D	L	M ₁	M ₂	A ₁	d ₁ ¹⁾	Y ¹⁾		
C3..19	38	110	32	110	320	90	165	171	180	340	150	265	480	18
C3..20	42	130	38	110	360	100	200	176	200	385	150	265	645	26
C3..21	48	130	42	130	405	110	200	210	220	430	190	340	870	33
C3..22	52	130	48	130	440	120	210	220	230	480	190	340	1170	46
C3..23	58	135	52	130	495	140	250	234	260	540	190	340	1590	65
C3..24	65	155	65	155	540	160	290	283	295	605	245	440	2145	90
C3..25	70	155	70	155	595	170	300	293	305	680	245	440	2895	125
C3..26	85	180	80	180	660	190	350	306	345	765	245	440	3885	180



Size	Foundation															
	A	B	C	C ₁ ²⁾	C ₂ ¹⁾	E	F	h	H ₁ ¹⁾	H ₂ ²⁾	K	O	P	R	S	T
C3..19	340	850	265	283	315	303	250	225	455	530		23	145	255	36	615
C3..20	385	945	288	304	345	314	270	250	496	580		23	165	290	36	705
C3..21	430	1050	320	359	394	385	310	280	572	650		27	180	315	45	780
C3..22	480	1170	355	390	429	400	340	315	635	720		27	200	355	45	880
C3..23	540	1335	405	422	481	450	380	355	705	800	655	33	220	405	55	985
C3..24	605	1465	435	452	541	515	410	400	795	890	740	33	245	450	55	1110
C3..25	680	1605	475	493	591	535	460	450	865	990	840	33	280	510	55	1245
C3..26	765	1820	540	553	659	600	510	500	954	1090	940	39	315	575	65	1400

Modification of dimensions reserved.

Shaft ends with keys according to DIN 6885, Part 1, Shape A.

Shaft centering according to DIN 332, Shape DS (with thread)

Tolerance field for Shaft ends ISO fit, up to Ø50 k6; over Ø50 m6.

1) Max. dimensions; details acc. to order related documents

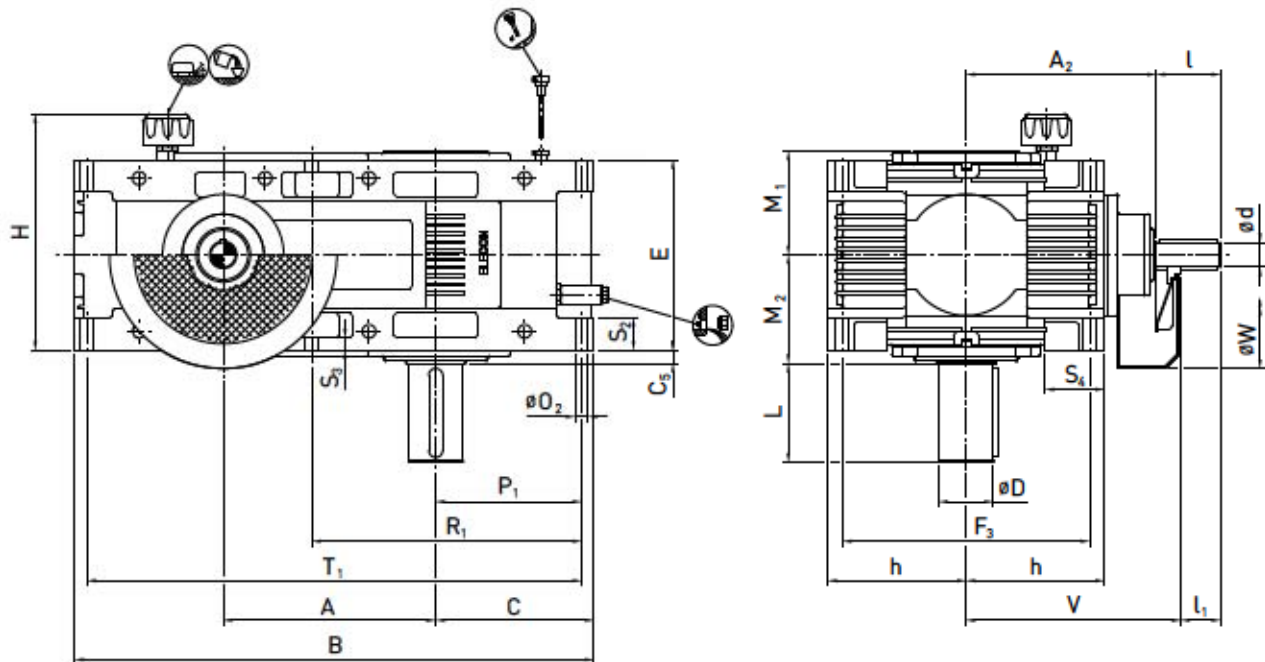
2) Approximate values; exact values acc. to order related documents

Type - C3V

Triple Stage
Size 14 to 18

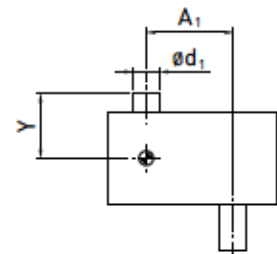
Vertical Mounting

Compact Drive Gear Units



*For other shaft options refer page 125, 126 & 129 to 131

Size	Input Shaft						Output Shaft						Backstop			Average Weight [kg]	Oil Quantity [Litres]	
	i = 20-50		i = 22.4-63		i = 25-71		i = 56-71		i = 71-90		i = 80-100		A ₁	d ₁ ¹⁾	Y ¹⁾			
	d	l	l ₁	d	l	l ₁	A ₂	V	W	D	L	M ₁						M ₂
C3..14	19	90	40	19	90	40	195	245	240	48	95	106	125	190	90	180	105	-
C3..15	24	100	50	24	100	50	205	255	270	55	95	127	135	215	95	215	145	-
C3..16	24	100	50	24	100	50	240	290	300	60	130	133	145	240	95	215	195	-
C3..17	28	100	50	24	100	50	260	310	340	70	135	141	150	270	95	215	265	-
C3..18	32	110	60	28	100	50	290	340	360	80	160	158	170	305	140	265	355	-



Size	Foundation														
	A	B	C	C ₅	E	F ₃	h	H ²⁾	O ₂	P ₁	R ₁	S ₂	S ₃	S ₄	T ₁
C3..14	190	488	162	30	190	200	125	270	14	146	292	36	-	70	456
C3..15	215	548	177	21	228	230	140	308	14	160	285	45	15	70	515
C3..16	240	615	195	28.5	233	270	160	313	14	176	316	38	15	70	578
C3..17	270	684	210	25	250	310	180	330	18	190	350	40	20	95	645
C3..18	305	764	236	28	284	350	200	364	18	215	395	45	20	90	722

Modification of dimensions reserved.

Shaft ends with keys according to DIN 6885, Part 1, Shape A.

Shaft centering according to DIN 332, Shape DS (with thread)

Tolerance field for Shaft ends ISO fit, up to Ø50 k6; over Ø50 m6.

1) Max. dimensions; details acc. to order related documents

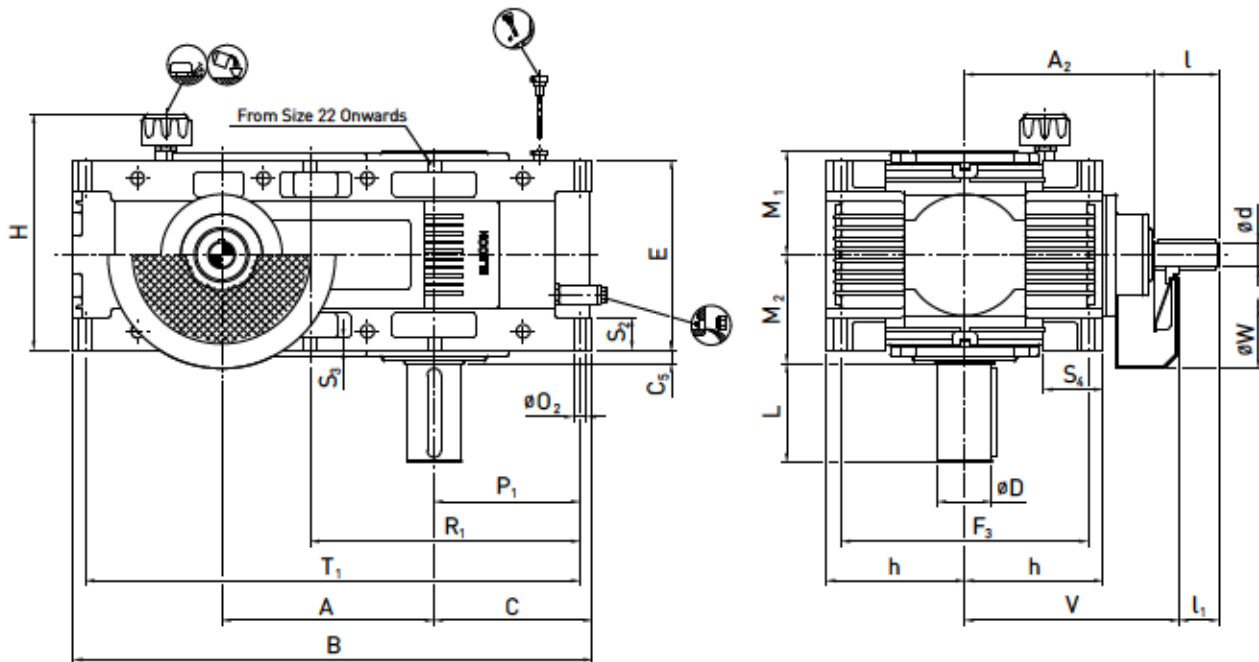
2) Approximate values; exact values acc. to order related documents

Compact Drive Gear Units

Vertical Mounting

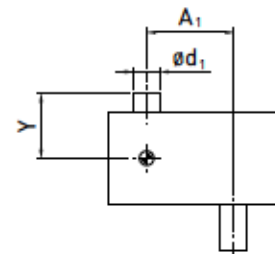
Type - C3V

Triple Stage
Size 19 to 26



*For other shaft options refer page 125, 126 & 129 to 131

Size	Input Shaft						Output Shaft						Backstop			Average Weight [kg]	Oil Quantity [Litres]	
	i = 20-50		i = 56-71															
	d	l	l ₁	d	l	l ₁	A ₂	V	W	D	L	M ₁	M ₂	A ₁	d ₁ ¹⁾			Y ¹⁾
C3..19	38	110	60	32	110	60	320	370	360	90	165	171	180	340	150	265	480	-
C3..20	42	130	80	38	110	60	360	410	400	100	200	176	200	385	150	265	645	-
C3..21	48	130	80	42	130	80	405	455	460	110	200	210	220	430	190	340	870	-
C3..22	52	130	80	48	130	80	440	490	530	120	210	220	230	480	190	340	1170	-
C3..23	58	135	85	52	130	80	495	545	550	140	250	234	260	540	190	340	1590	-
C3..24	65	155	105	65	155	105	540	590	600	160	290	283	295	605	245	440	2145	-
C3..25	70	155	105	70	155	105	595	645	650	170	300	293	305	680	245	440	2895	-
C3..26	85	180	130	80	180	130	660	710	700	190	350	306	345	765	245	440	3885	-



Size	Foundation														
	A	B	C ₅	C	E	F ₃	h	H ²⁾	O ₂	P ₁	R ₁	S ₂	S ₃	S ₄	T ₁
C3..19	340	850	28.5	265	303	400	225	383	23	240	440	48.5	22	105	800
C3..20	385	945	43	288	314	440	250	394	23	262	487	45	24	105	893
C3..21	430	1050	27.5	320	385	500	280	475	27	295	545	65	28	120	1000
C3..22	480	1170	30	355	400	560	315	490	27	325	605	60	28	120	1110
C3..23	540	1335	35	405	450	630	355	540	33	370	685	70	35	150	1265
C3..24	605	1465	37.5	435	515	700	400	605	33	398	753	87.5	35	150	1391
C3..25	680	1605	37.5	475	535	800	450	625	33	436	836	80	35	150	1528
C3..26	765	1820	45	540	600	890	500	700	39	495	945	100	45	175	1730

Modification of dimensions reserved.

Shaft ends with keys according to DIN 6885, Part 1, Shape A.

Shaft centering according to DIN 332, Shape DS (with thread)

Tolerance field for Shaft ends ISO fit, up to Ø50 k6; over Ø50 m6.

1) Max. dimensions; details acc. to order related documents

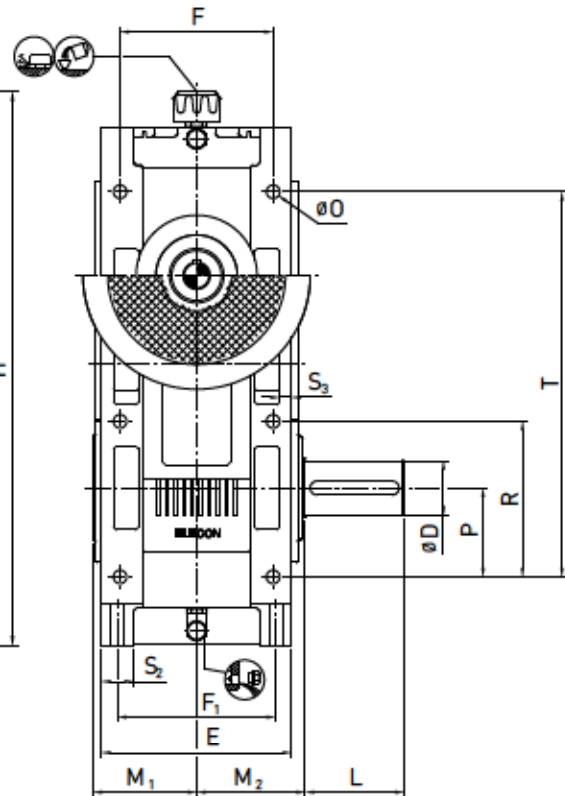
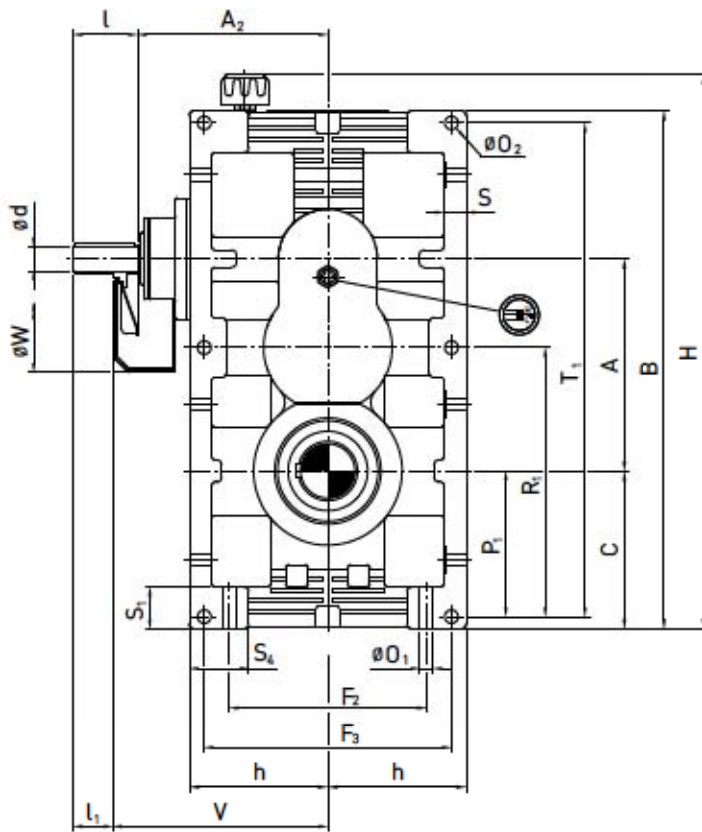
2) Approximate values; exact values acc. to order related documents

Type - C30

Triple Stage
Size 14 to 18

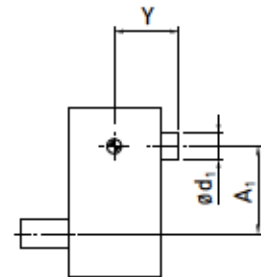
Over Driven

Compact Drive Gear Units



*For other shaft options refer page 125, 126 & 129 to 131

Size	Input Shaft						Output Shaft				Backstop			Average Weight [kg]	Oil Quantity [litres]			
	i = 20-50		i = 56-71		i = 71-90													
	d	l	l ₁	d	l	l ₁	A ₂	V	W	D	L	M ₁	M ₂	A ₁	d ₁ ¹⁾	Y ¹⁾		
C3..14	19	90	40	19	90	40	195	245	240	48	95	106	125	190	90	180	105	-
C3..15	24	100	50	24	100	50	205	255	270	55	95	127	135	215	95	215	145	-
C3..16	24	100	50	24	100	50	240	290	300	60	130	133	145	240	95	215	195	-
C3..17	28	100	50	24	100	50	260	310	340	70	135	141	150	270	95	215	265	-
C3..18	32	110	60	28	100	50	290	340	360	80	160	158	170	305	140	265	355	-



Size	Foundation																							
	A	B	C	E	F	F ₁	F ₂	F ₃	h	H	O	O ₁	O ₂	P	P ₁	R	R ₁	S	S ₁	S ₂	S ₃	S ₄	T	T ₁
C3..14	190	488	162	190	150	150	140	200	125	568	14	14	14	80	146	140	292	24	52	36	15	70	345	456
C3..15	215	548	177	228	170	170	170	230	140	628	14	14	14	95	160	170	285	24	52	45	15	70	395	515
C3..16	240	615	195	233	190	190	210	270	160	695	14	14	14	110	176	195	316	24	55	38	15	70	450	578
C3..17	270	684	210	250	210	210	220	310	180	764	18	18	18	115	190	210	350	32	60	40	20	95	495	645
C3..18	305	764	236	284	230	230	260	350	200	844	18	18	18	135	215	240	395	32	66	45	20	90	565	722

Modification of dimensions reserved.

Shaft ends with keys according to DIN 6885, Part 1, Shape A.

Shaft centering according to DIN 332, Shape DS (with thread)

Tolerance field for Shaft ends ISO fit, up to Ø50 k6; over Ø50 m6.

1) Max. dimensions; details acc. to order related documents

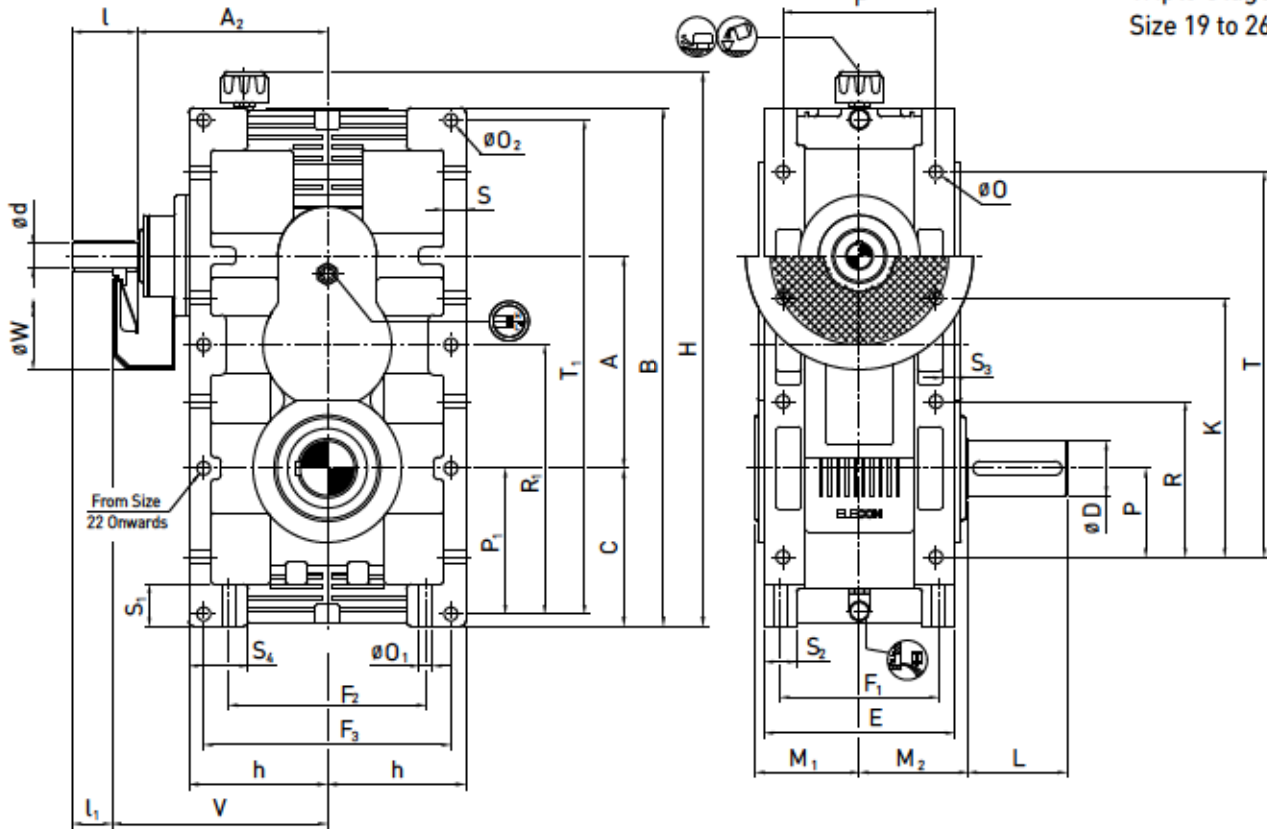
2) Approximate values; exact values acc. to order related documents

Compact Drive Gear Units

Over Driven

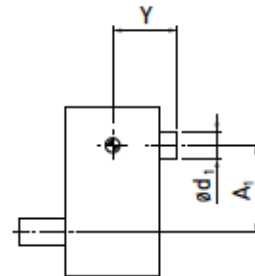
Type - C30

Triple Stage
Size 19 to 26



*For other shaft options refer page 125, 126 & 129 to 131

Size	i = 20-50		Input Shaft			Output Shaft						Backstop			Average Weight (kg)	Oil Quantity (Litres)		
	d	l	i = 56-71		l ₁	A ₂	V	W	D	L	M ₁	M ₂	A ₁	d ₁ ¹⁾			Y ¹⁾	
			d	l														i = 71-90
C3.19	38	110	60	32	110	60	320	370	360	90	165	171	180	340	150	265	480	-
C3.20	42	130	80	38	110	60	360	410	400	100	200	176	200	385	150	265	645	-
C3.21	48	130	80	42	130	80	405	455	460	110	200	210	220	430	190	340	870	-
C3.22	52	130	80	48	130	80	440	490	530	120	210	220	230	480	190	340	1170	-
C3.23	58	135	85	52	130	80	495	545	550	140	250	234	260	540	190	340	1590	-
C3.24	65	155	105	65	155	105	540	590	600	160	290	283	295	605	245	440	2145	-
C3.25	70	155	105	70	155	105	595	645	650	170	300	293	305	680	245	440	2895	-
C3.26	85	180	130	80	180	130	660	710	700	190	350	306	345	765	245	440	3885	-



Size	Foundation																								
	A	B	C	E	F	F ₁	F ₂	F ₃	h	H	K	O	O ₁	O ₂	P	P ₁	R	R ₁	S	S ₁	S ₂	S ₃	S ₄	T	T ₁
C3.19	340	850	265	303	250	250	290	400	225	930		23	23	23	145	240	255	440	36	75	48.5	22	105	615	800
C3.20	385	945	288	314	270	270	340	440	250	1025		23	23	23	165	262	290	487	36	78	45	24	105	705	893
C3.21	430	1050	320	385	310	310	370	500	280	1140		27	27	27	180	295	315	545	45	85	65	28	120	780	1000
C3.22	480	1170	355	400	340	340	440	560	315	1260		27	27	27	200	325	355	605	45	90	60	28	120	880	1110
C3.23	540	1335	405	450	380	380	480	630	355	1425		33	33	33	220	370	405	685	55	110	70	35	150	985	1265
C3.24	605	1465	435	515	410	410	570	700	400	1555		33	33	33	245	398	450	753	55	110	87.5	35	150	1110	1391
C3.25	680	1605	475	535	460	460	670	800	450	1695		33	33	33	280	436	510	836	55	110	80	35	150	1245	1528
C3.26	765	1820	540	600	510	510	730	890	500	1910		39	39	39	315	495	575	945	65	130	100	45	175	1400	1730

Modification of dimensions reserved.

Shaft ends with keys according to DIN 6885, Part 1, Shape A.

Shaft centering according to DIN 332, Shape DS (with thread)

Tolerance field for Shaft ends ISO fit, up to ø50 k6; over ø50 m6.

1) Max. dimensions; details acc. to order related documents

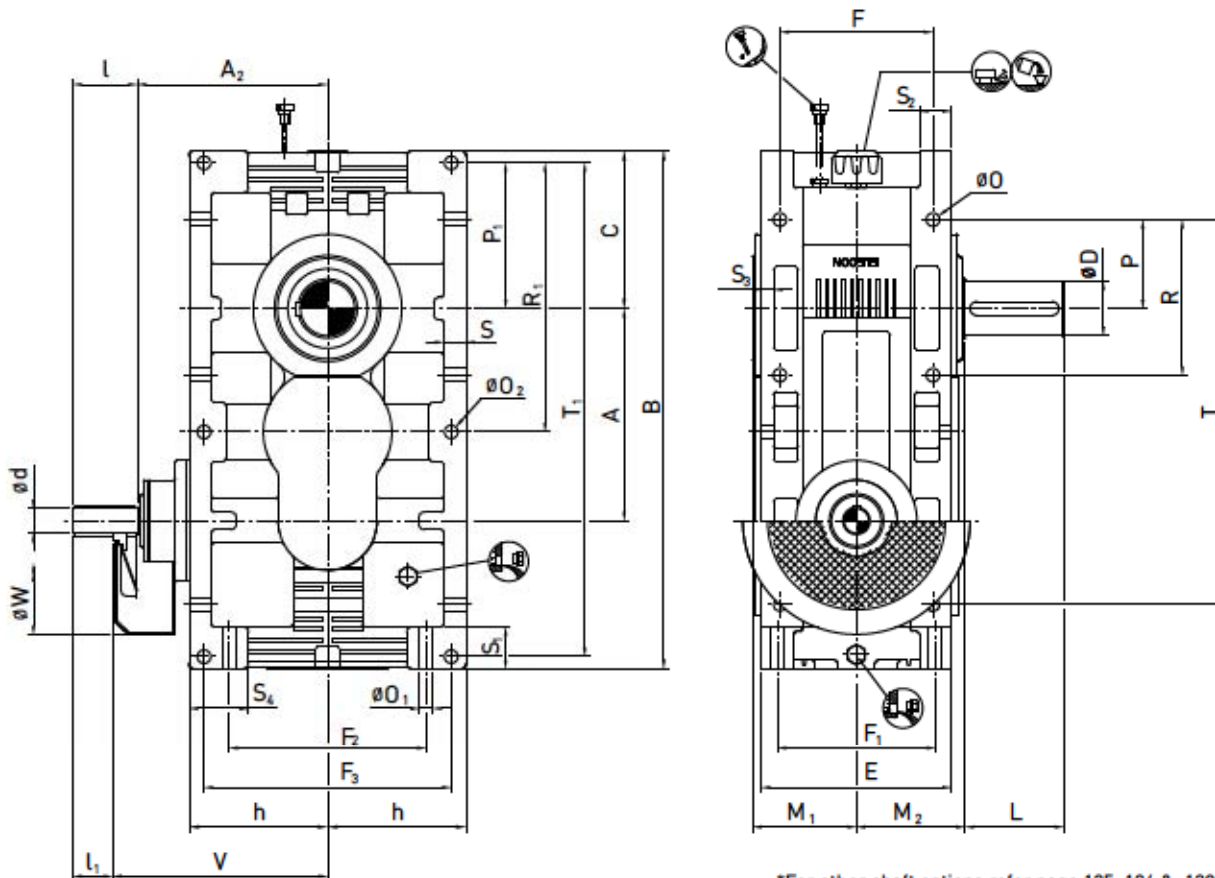
2) Approximate values; exact values acc. to order related documents

Type - C3U

Triple Stage
Size 14 to 18

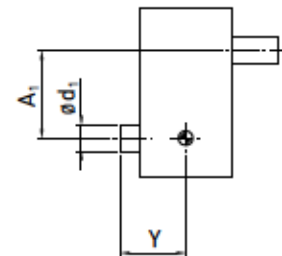
Under Driven

Compact Drive Gear Units



*For other shaft options refer page 125, 126 & 129 to 131

Size	Input Shaft						Output Shaft				Backstop			Average Weight [kg]	Oil Quantity [Litres]			
	i = 20-50		i = 22.4-43		i = 56-71		D	L	M ₁	M ₂	A ₁	d ₁ ¹⁾	Y ¹⁾					
	d	l	l ₁	d	l	l ₁												
C3..14	19	90	40	19	90	40	195	245	240	48	95	106	125	190	90	180	105	-
C3..15	24	100	50	24	100	50	205	255	270	55	95	127	135	215	95	215	145	-
C3..16	24	100	50	24	100	50	240	290	300	60	130	133	145	240	95	215	195	-
C3..17	28	100	50	24	100	50	260	310	340	70	135	141	150	270	95	215	265	-
C3..18	32	110	60	28	100	50	290	340	360	80	160	158	170	305	140	265	355	-



Size	Foundation																						
	A	B	C	E	F	F ₁	F ₂	F ₃	h	O	O ₁	O ₂	P	P ₁	R	R ₁	S	S ₁	S ₂	S ₃	S ₄	T	T ₁
C3..14	190	488	162	190	150	150	140	200	125	14	14	14	80	146	140	292	24	52	36	15	70	310	456
C3..15	215	548	177	228	170	170	170	230	140	14	14	14	95	160	170	285	24	52	45	15	70	395	515
C3..16	240	615	195	233	190	190	210	270	160	14	14	14	110	176	195	316	24	55	38	15	70	450	578
C3..17	270	684	210	250	210	210	220	310	180	18	18	18	115	190	210	350	32	60	40	20	95	495	645
C3..18	305	764	236	284	230	230	260	350	200	18	18	18	135	215	240	395	32	66	45	20	90	565	722

Modification of dimensions reserved.

Shaft ends with keys according to DIN 6885, Part 1, Shape A.
Shaft centering according to DIN 332, Shape DS (with thread)
Tolerance field for Shaft ends ISO fit, up to Ø50 k6; over Ø50 m6.

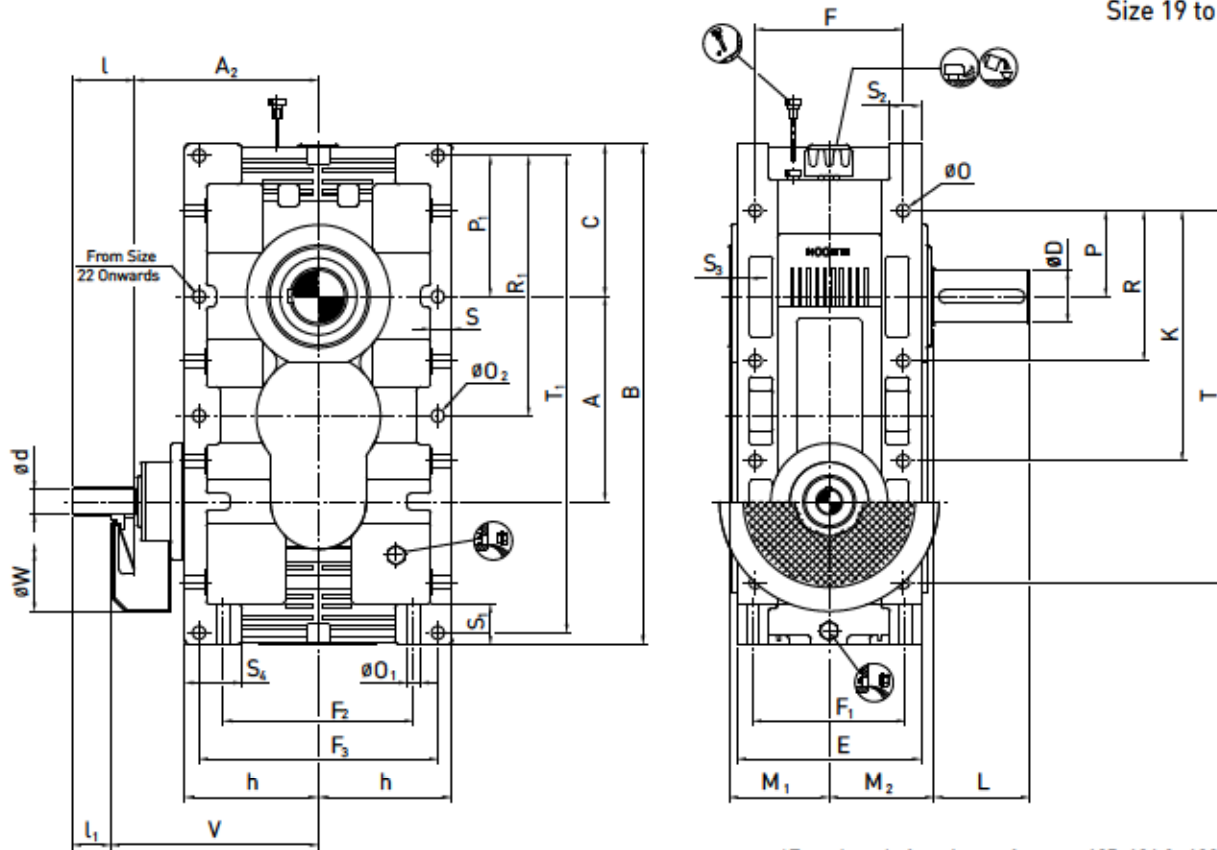
- 1) Max. dimensions; details acc. to order related documents
- 2) Approximate values; exact values acc. to order related documents

Compact Drive Gear Units

Under Driven

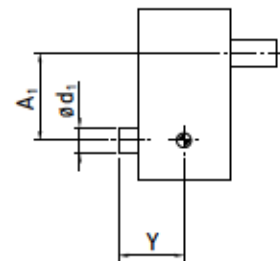
Type - C3U

Triple Stage
Size 19 to 26



*For other shaft options refer page 125, 126 & 129 to 131

Size	Input Shaft i = 20-50 i = 22.4-63 i = 25-71			Input Shaft i = 56-71 i = 71-90 i = 80-100			Output Shaft				Backstop			Average Weight (kg)	Oil Quantity (Litres)			
	d	l	l ₁	d	l	l ₁	A ₂	V	W	D	L	M ₁	M ₂			A ₁	d ₁ ¹⁾	Y ¹⁾
C3..19	38	110	60	32	110	60	320	370	360	90	165	171	180	340	150	265	480	-
C3..20	42	130	80	38	110	60	360	410	400	100	200	176	200	385	150	265	645	-
C3..21	48	130	80	42	130	80	405	455	460	110	200	210	220	430	190	340	870	-
C3..22	52	130	80	48	130	80	440	490	530	120	210	220	230	480	190	340	1170	-
C3..23	58	135	85	52	130	80	495	545	550	140	250	234	260	540	190	340	1590	-
C3..24	65	155	105	65	155	105	540	590	600	160	290	283	295	605	245	440	2145	-
C3..25	70	155	105	70	155	105	595	645	650	170	300	293	305	680	245	440	2895	-
C3..26	85	180	130	80	180	130	660	710	700	190	350	306	345	765	245	440	3885	-



Size	Foundation																							
	A	B	C	E	F	F ₁	F ₂	F ₃	h	K	O	O ₁	O ₂	P	P ₁	R	R ₁	S	S ₁	S ₂	S ₃	S ₄	T	T ₁
C3..19	340	850	265	303	250	250	290	400	225		23	23	23	145	240	255	440	36	75	48.5	22	105	615	800
C3..20	385	945	288	314	270	270	340	440	250		23	23	23	165	262	290	487	36	78	45	24	105	705	893
C3..21	430	1050	320	385	310	310	370	500	280		27	27	27	180	295	315	545	45	85	65	28	120	780	1000
C3..22	480	1170	355	400	340	340	440	560	315		27	27	27	200	325	355	605	45	90	60	28	120	880	1110
C3..23	540	1335	405	450	380	380	480	630	355	655	33	33	33	220	370	405	685	55	110	70	35	150	985	1265
C3..24	605	1465	435	515	410	410	570	700	400	740	33	33	33	245	398	450	753	55	110	87.5	35	150	1110	1391
C3..25	680	1605	475	535	460	460	670	800	450	840	33	33	33	280	436	510	836	55	110	80	35	150	1245	1528
C3..26	765	1820	540	600	510	510	730	890	500	940	39	39	39	315	495	575	945	65	130	100	45	175	1400	1730

Modification of dimensions reserved.

Shaft ends with keys according to DIN 6885, Part 1, Shape A.

Shaft centering according to DIN 332, Shape DS (with thread)

Tolerance field for Shaft ends ISO fit, up to Ø50 k6; over Ø50 m6.

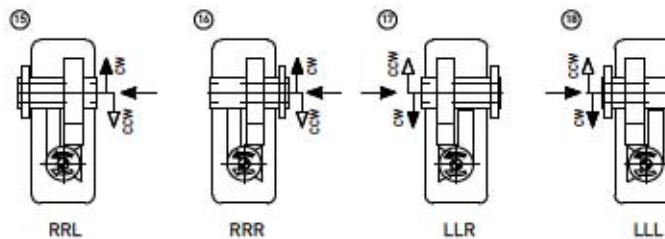
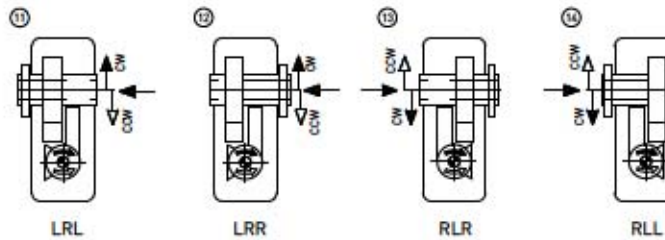
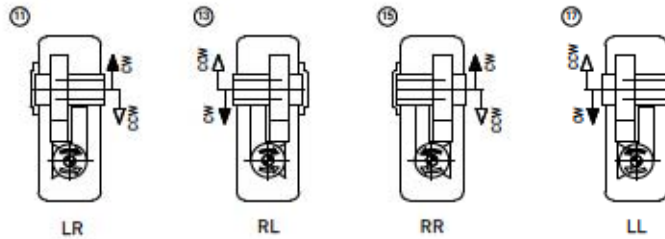
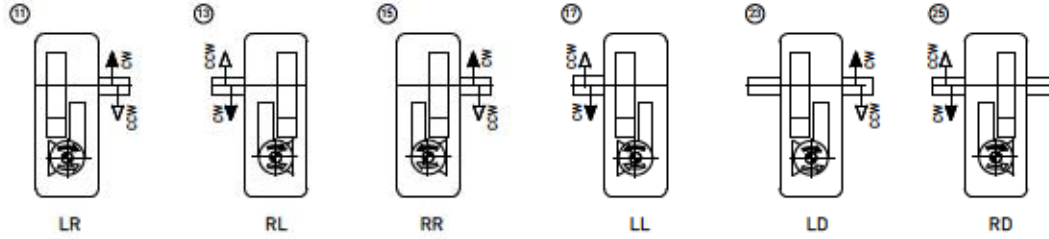
1) Max. dimensions; details acc. to order related documents

2) Approximate values; exact values acc. to order related documents

Type - C3
Triple Stage

Shaft Arrangement

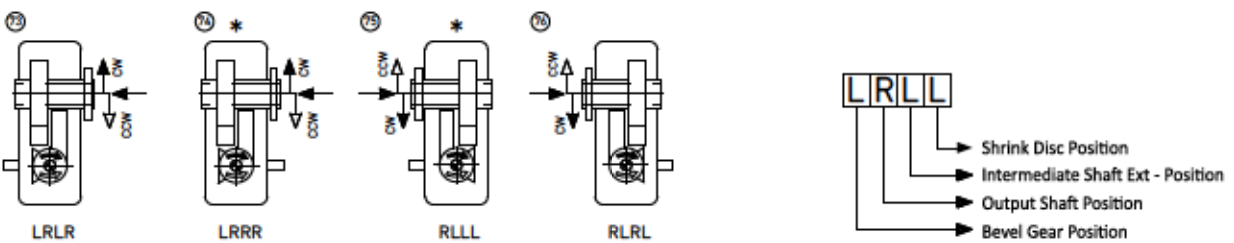
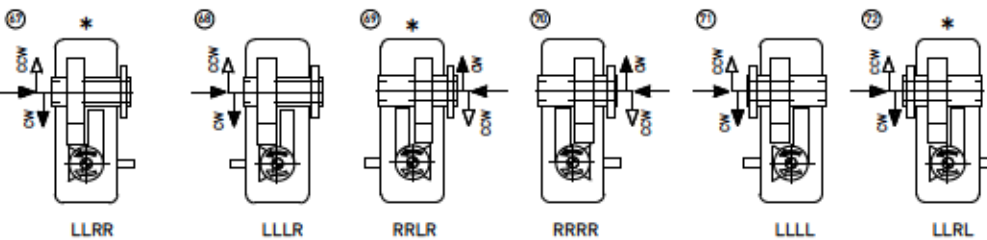
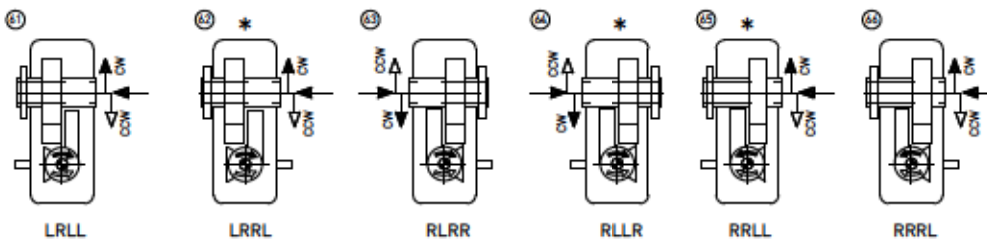
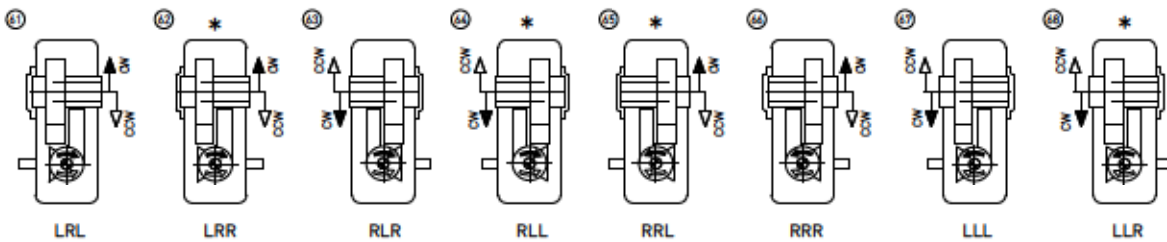
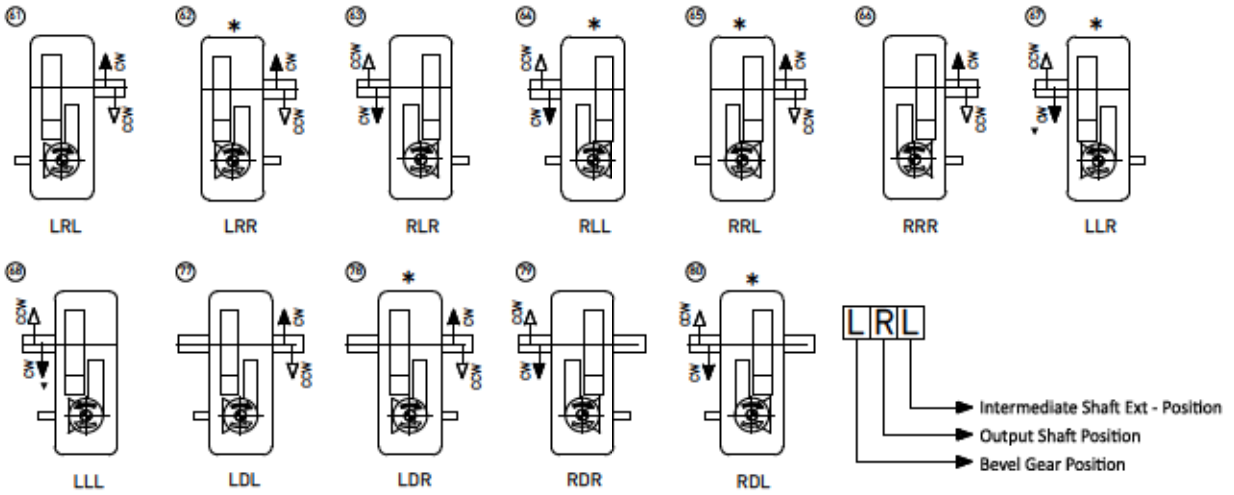
Compact Drive Gear Units



Compact Drive Gear Units

Shaft Arrangement - Int. Ext.

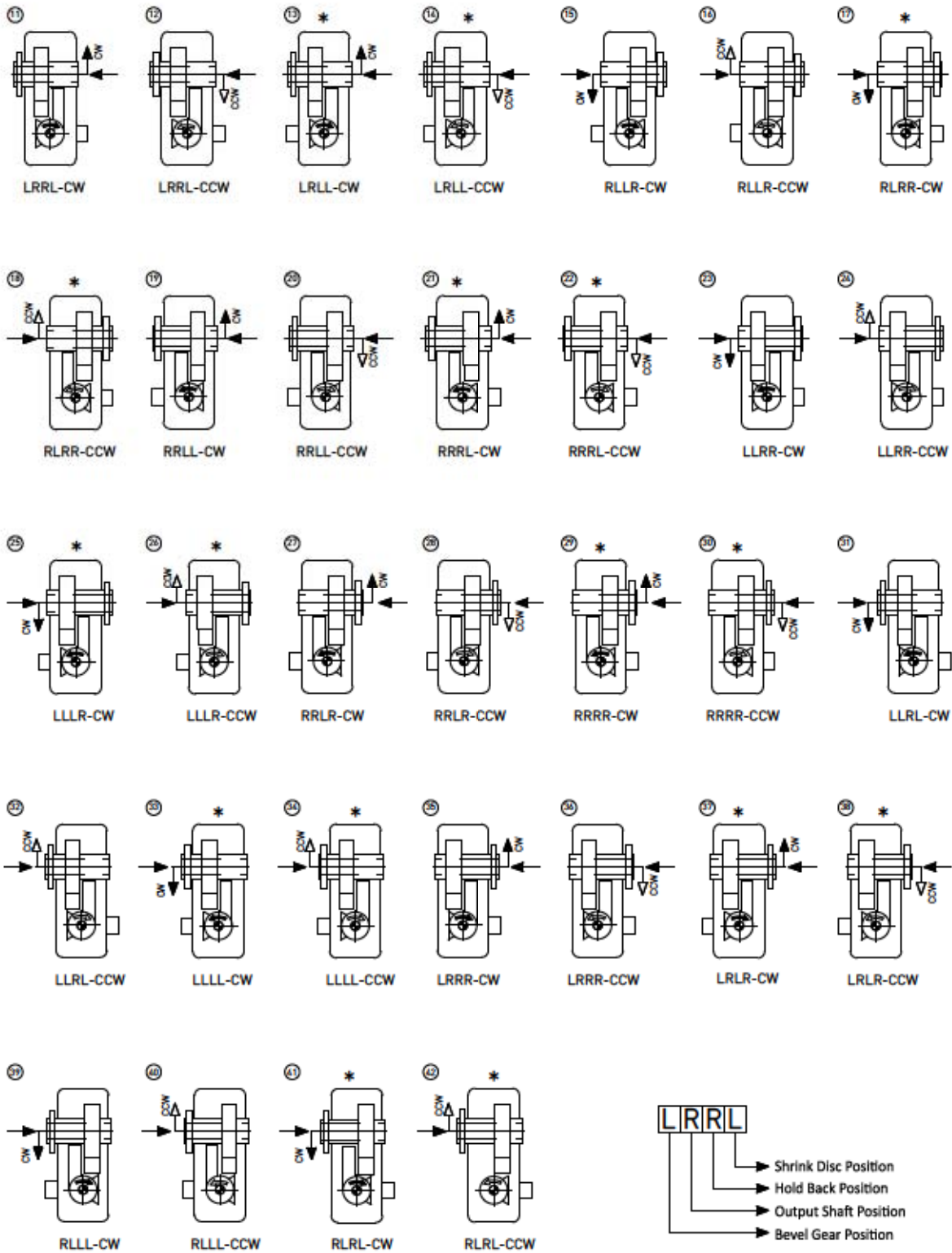
Type - C3
Tripal Stage



Type - C3
Triple Stage

Shaft Arrangement - Hold Back

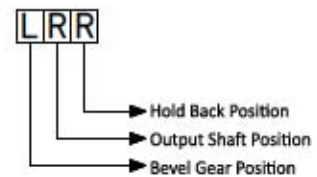
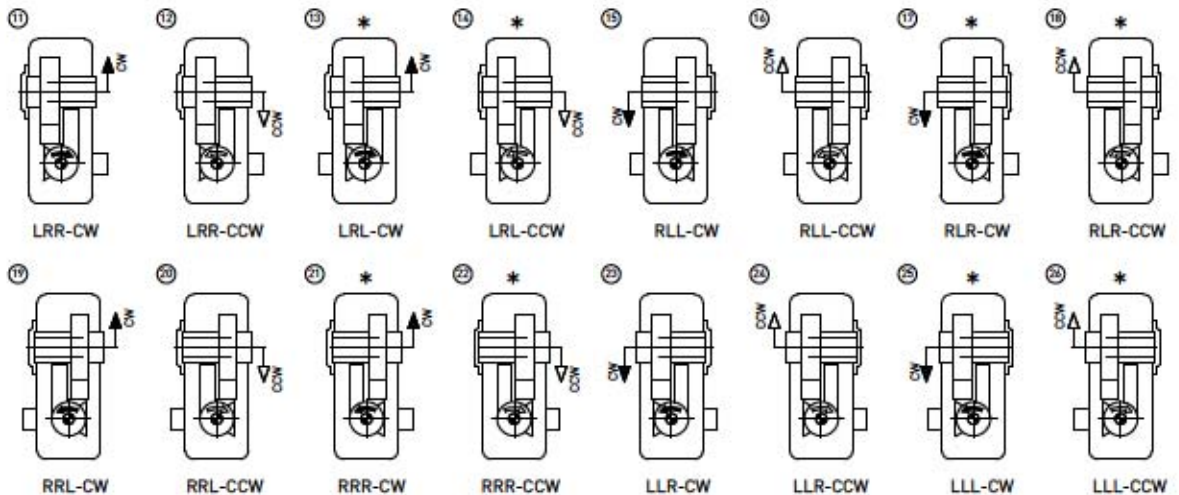
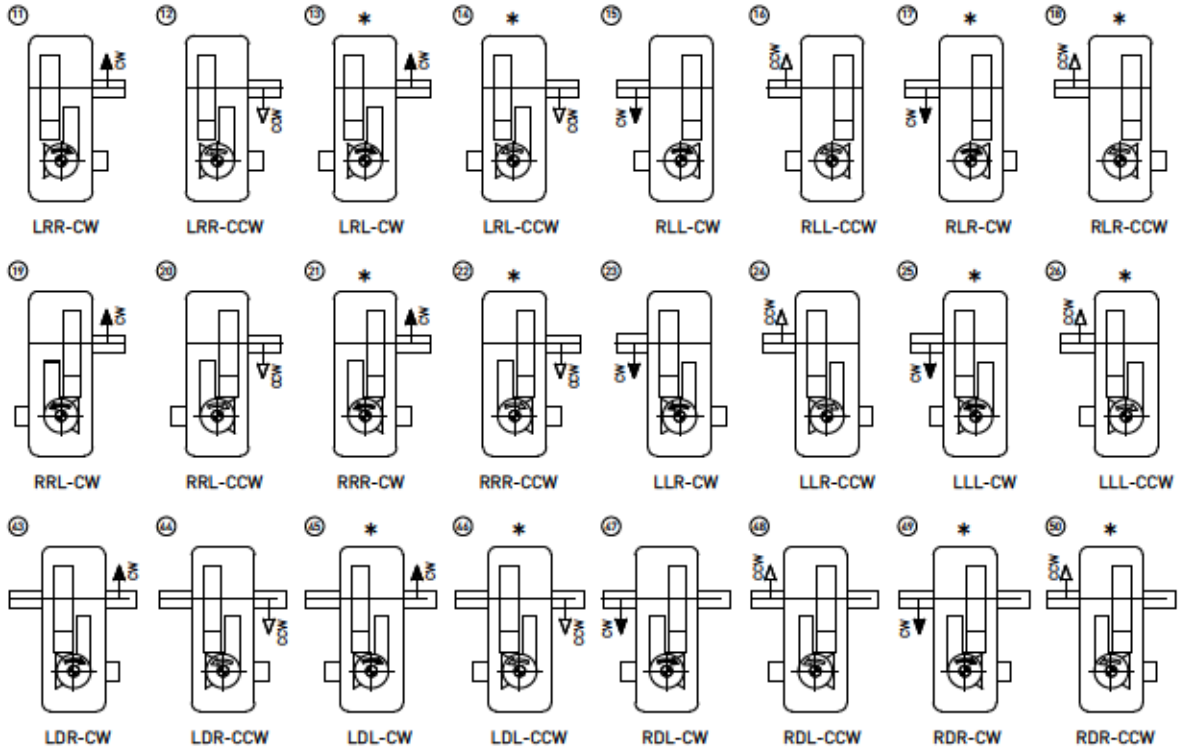
Compact Drive Gear Units



Compact Drive Gear Units

Shaft Arrangement - Hold Back

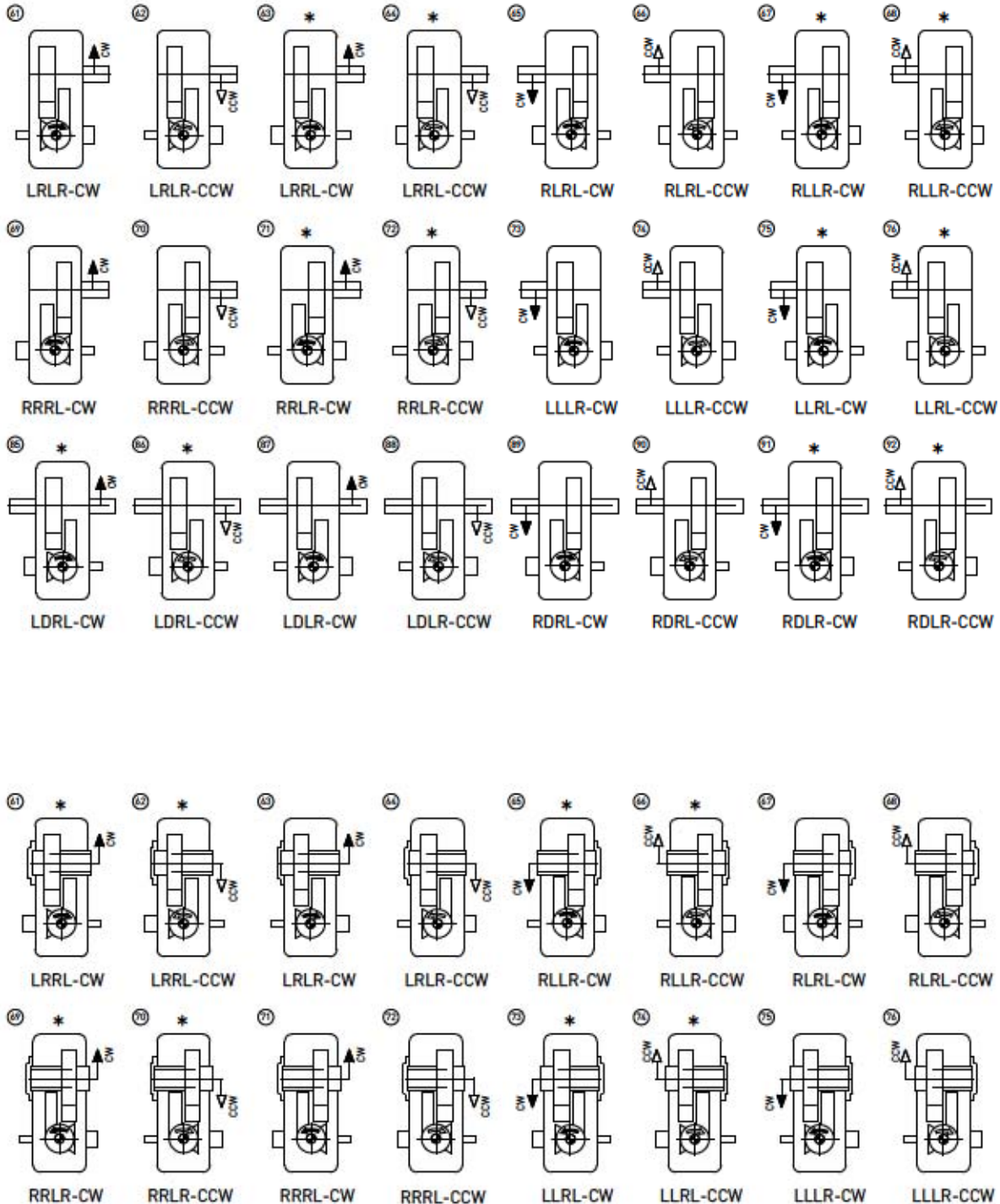
Type - C3
Tripal Stage



Type - C3
Triple Stage

Shaft Arrangement - Int Ext & Hold Back

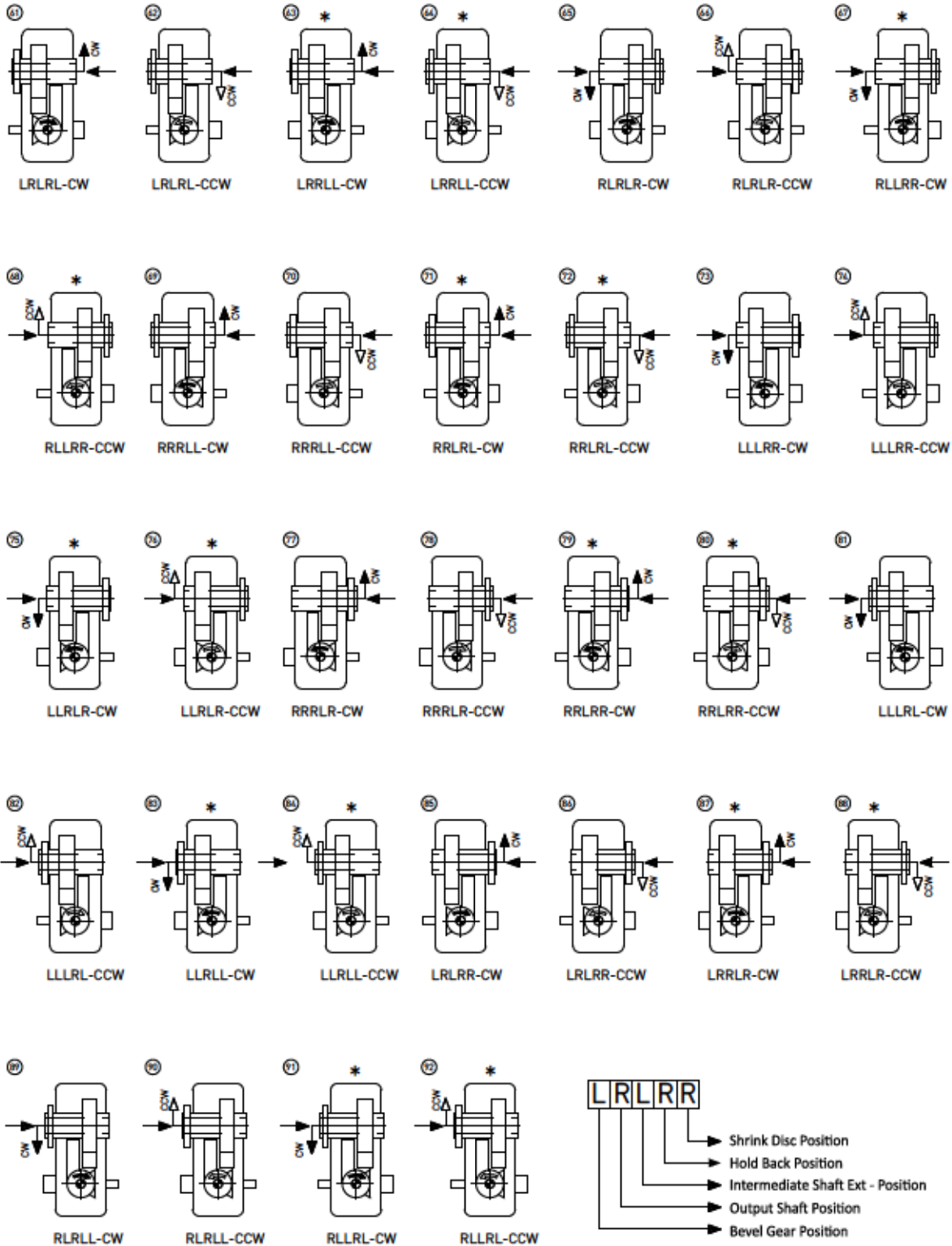
Compact Drive Gear Units



Compact Drive Gear Units

Shaft Arrangement - Int Ext & Hold Back

Type - C3
Tripal Stage

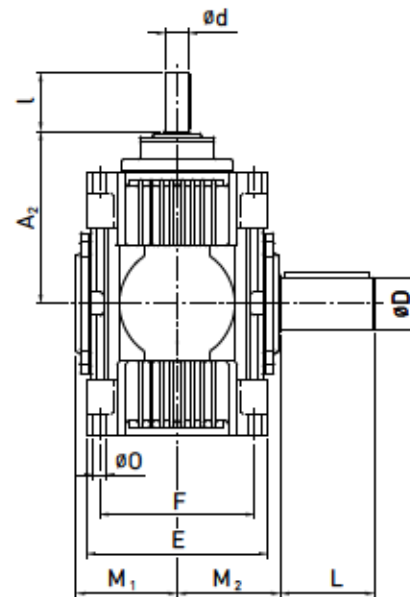
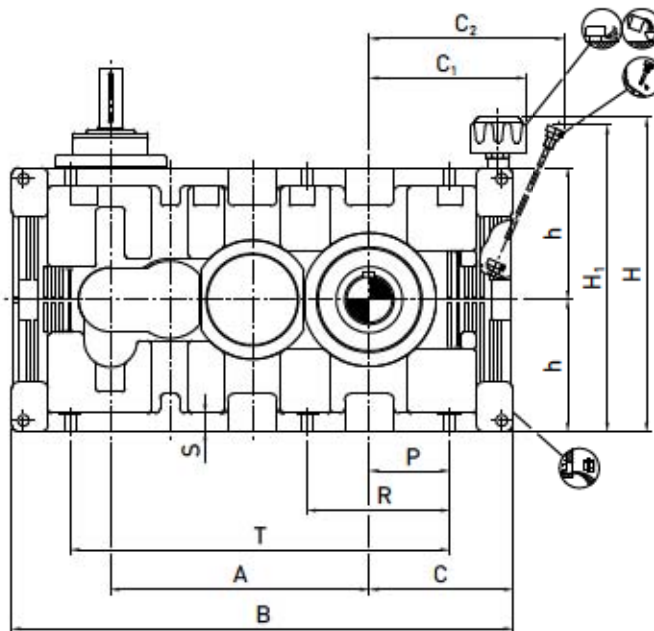


Type - C4H

Quadruple Stage
Size 17 to 18

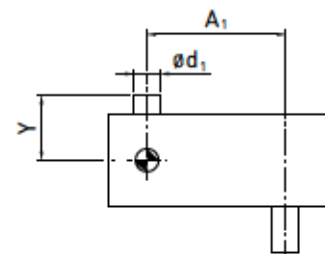
Horizontal Mounting

Compact Drive Gear Units



*For other shaft options refer page 125, 126 & 129 to 131

SIZE	Input Shaft				A ₂	Output Shaft				Backstop			Average Weight [kg]	Oil Quantity [Litres]
	i = 80-225		i = 250-400			D	L	M ₁	M ₂	A ₁	d ₁ ¹⁾	Y ¹⁾		
	d	l	d	l										
C4_17	19	90	19	90	245	70	135	141	150	350	85	210	265	9
C4_18	24	100	24	100	260	80	160	158	170	395	95	255	355	13



SIZE	Foundation														
	A	B	C	C ₁ ²⁾	C ₂ ²⁾	E	F	h	H ₁ ²⁾	H ₂ ²⁾	O	P	R	S	T
C4_17	350	496	210	238	257	250	210	180	378	440	18	115	210	32	495
C4_18	395	787	236	263	281	284	230	200	404	480	18	135	240	32	565

Modification of dimensions reserved.

Shaft ends with keys according to DIN 6885, Part 1, Shape A.

Shaft centering according to DIN 332, Shape DS (with thread)

Tolerance field for Shaft ends ISO fit, up to Ø50 k6; over Ø50 m6.

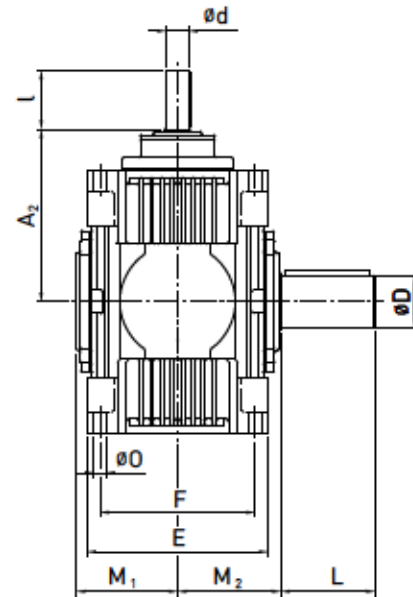
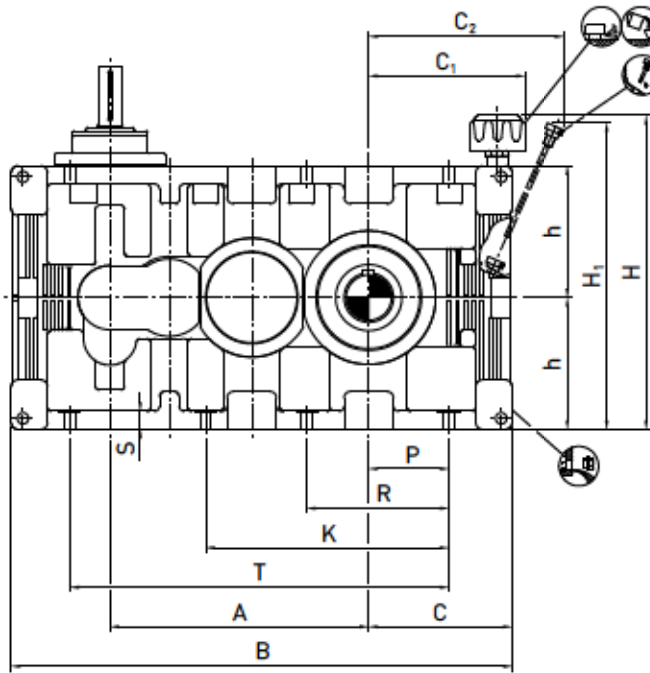
1) Max. dimensions; details acc. to order related documents

2) Approximate values; exact values acc. to order related documents

Compact Drive Gear Units

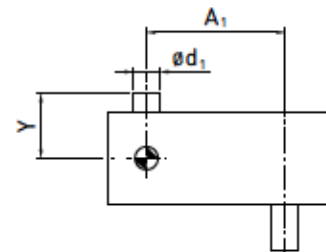
Horizontal Mounting

Type - C4H
 Quadruple Stage
 Size 19 to 26



*For other shaft options refer page 125, 126 & 129 to 131

SIZE	Input Shaft				Output Shaft				Backstop			Average Weight [kg]	Oil Quantity [Litres]	
	d	l	d	l	A ₂	D	L	M ₁	M ₂	A ₁	d ₁ ¹⁾			Y ¹⁾
C4..19	24	100	24	100	290	90	165	171	180	440	95	255	480	18
C4..20	28	100	24	100	310	100	200	176	200	495	95	255	645	26
C4..21	32	110	28	100	340	110	200	210	220	555	135	310	870	33
C4..22	38	110	32	110	375	120	210	220	230	620	135	310	1170	46
C4..23	42	130	38	110	415	140	250	234	260	700	140	310	1590	65
C4..24	48	130	42	130	460	160	290	283	295	785	175	415	2145	90
C4..25	52	130	48	130	510	170	300	293	305	880	175	415	2895	125
C4..26	58	135	52	130	560	190	350	306	345	990	190	415	3885	180



SIZE	Foundation															
	A	B	C	C ₁ ¹⁾	C ₂ ¹⁾	E	F	h	H ₁ ¹⁾	H ₂ ¹⁾	K	O	P	R	S	T
C4..19	440	885	265	283	315	303	250	225	455	530		23	145	255	36	615
C4..20	495	987	288	304	345	314	270	250	496	580		23	165	290	36	705
C4..21	555	1098	320	359	394	385	310	280	572	650		27	180	315	45	780
C4..22	620	1220	355	390	429	400	340	315	635	720		27	200	355	45	880
C4..23	700	1377	405	422	481	450	380	355	705	800	655	33	220	405	55	985
C4..24	785	1520	435	452	541	515	410	400	795	890	740	33	245	450	55	1110
C4..25	880	1690	475	493	591	535	460	450	865	990	840	33	280	510	55	1245
C4..26	990	1920	540	553	659	600	510	500	954	1090	940	39	315	575	65	1400

Modification of dimensions reserved.

Shaft ends with keys according to DIN 6885, Part 1, Shape A.

Shaft centering according to DIN 332, Shape DS (with thread)

Tolerance field for Shaft ends ISO fit, up to Ø50 k6; over Ø50 m6.

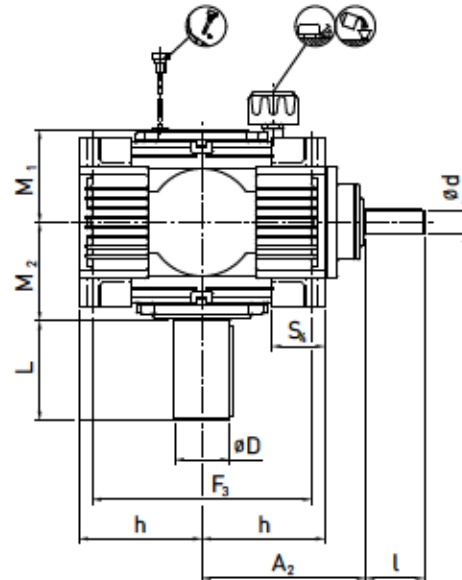
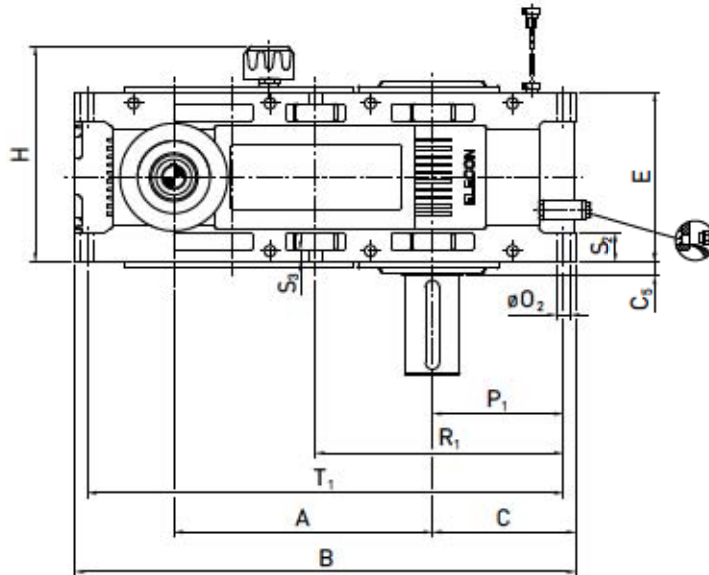
1) Max. dimensions; details acc. to order related documents

2) Approximate values; exact values acc. to order related documents

Type - CHV
Quadruple Stage
Size 17 to 18

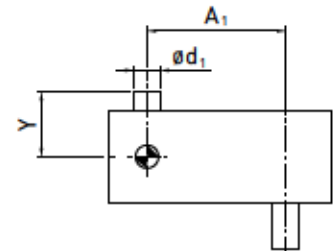
Vertical Mounting

Compact Drive Gear Units



*For other shaft options refer page 125, 126 & 129 to 131

SIZE	Input Shaft				Output Shaft				Backstop			Average Weight [kg]	Oil Quantity [Litres]	
	d	l	d	l	A ₂	D	L	M ₁	M ₂	A ₁	d ₁ ¹⁾			Y ¹⁾
C4..17	19	90	19	90	245	70	135	141	150	350	85	210	265	-
C4..18	24	100	24	100	260	80	160	158	170	395	95	255	355	-



SIZE	Foundation														
	A	B	C	C ₅	E	F ₃	h	H ²⁾	O ₂	P ₁	R ₁	S ₂	S ₃	S ₄	T ₁
C4..17	350	696	210	25	250	310	180	-	18	190	350	40	20	90	655
C4..18	395	787	236	28	284	350	200	-	18	215	395	45	20	90	744

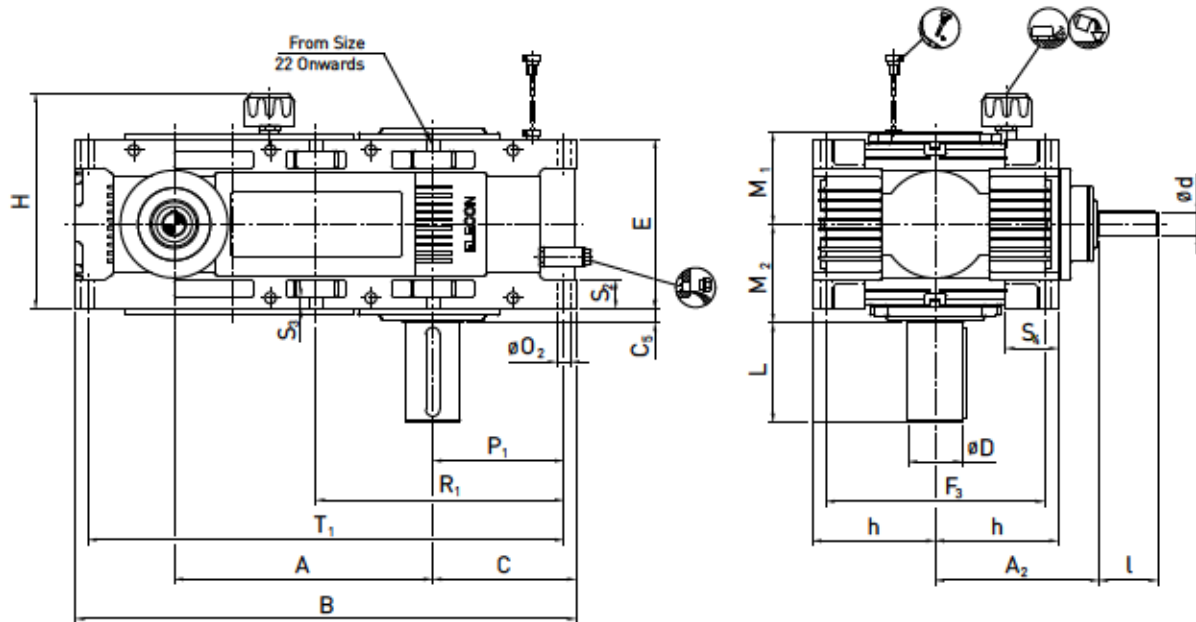
Modification of dimensions reserved.
Shaft ends with keys according to DIN 6885, Part 1, Shape A.
Shaft centering according to DIN 332, Shape DS (with thread)
Tolerance field for Shaft ends ISO fit, up to Ø50 k6; over Ø50 m6.

1) Max. dimensions; details acc. to order related documents
2) Approximate values; exact values acc. to order related documents

Compact Drive Gear Units

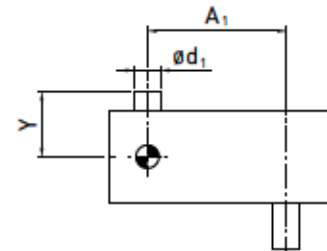
Vertical Mounting

Type - C4V
 Quadruple Stage
 Size 19 to 26



*For other shaft options refer page 125, 126 & 129 to 131

SIZE	Input Shaft				Output Shaft				Backstop			Average Weight [kg]	Oil Quantity [litres]	
	d	l	d	l	A ₂	D	L	M ₁	M ₂	A ₁	d ₁ ¹⁾			Y ¹⁾
			i = 80-225	i = 250-400										
			i = 100-315	i = 355-560										
			i = 112-400	i = 450-560										
C4..19	24	100	24	100	290	90	165	171	180	440	95	255	480	-
C4..20	28	100	24	100	310	100	200	176	200	495	95	255	645	-
C4..21	32	110	28	100	340	110	200	210	220	555	135	310	870	-
C4..22	38	110	32	110	375	120	210	220	230	620	135	310	1170	-
C4..23	42	130	38	110	415	140	250	234	260	700	140	310	1590	-
C4..24	48	130	42	130	460	160	290	283	295	785	175	415	2145	-
C4..25	52	130	48	130	510	170	300	293	305	880	175	415	2895	-
C4..26	58	135	52	130	560	190	350	306	345	990	190	415	3885	-



SIZE	Foundation														
	A	B	C	C ₅	E	F ₃	h	H ²⁾	O ₂	P ₁	R ₁	S ₂	S ₃	S ₄	T ₁
C4..19	440	885	265	28.5	303	400	225	-	23	240	440	48.5	22	105	836
C4..20	495	987	288	43	314	440	250	-	23	262	487	45	24	105	935
C4..21	555	1098	320	27.5	385	500	280	-	27	295	545	65	28	120	1045
C4..22	620	1220	355	30	400	560	315	-	27	325	605	60	28	120	1160
C4..23	700	1377	405	35	450	630	355	-	33	370	685	70	35	150	1305
C4..24	785	1520	435	37.5	515	700	400	-	33	398	753	87.5	35	150	1443
C4..25	880	1690	475	37.5	535	800	450	-	33	436	836	80	35	150	1612
C4..26	990	1920	540	45	600	890	500	-	39	495	945	100	45	175	1830

Modification of dimensions reserved.

Shaft ends with keys according to DIN 6885, Part 1, Shape A.

Shaft centering according to DIN 332, Shape DS (with thread)

Tolerance field for Shaft ends ISO fit, up to Ø50 k6; over Ø50 m6.

1) Max. dimensions; details acc. to order related documents

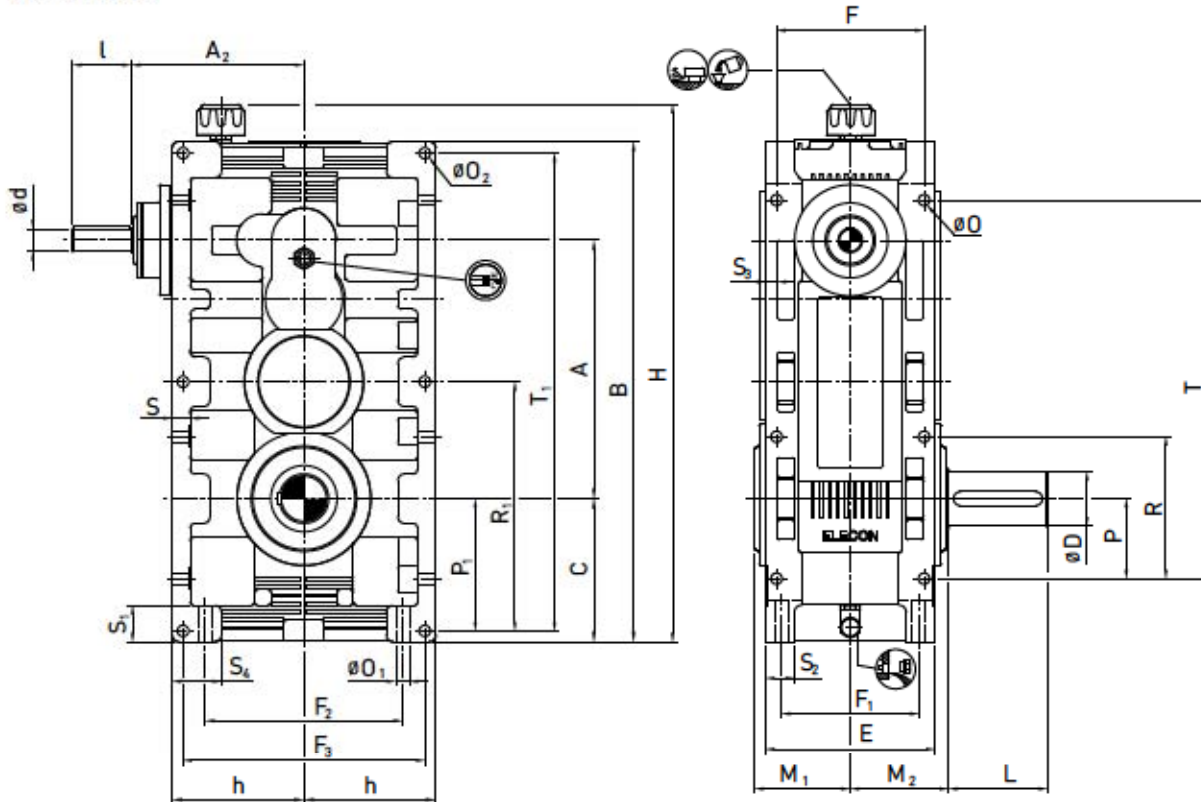
2) Approximate values; exact values acc. to order related documents

Type - C40

Quadruple Stage
Size 14 to 18

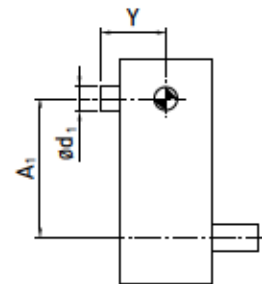
Over Driven

Compact Drive Gear Units



*For other shaft options refer page 125, 126 & 129 to 131

SIZE	Input Shaft				Output Shaft				Backstop			Average Weight [kg]	Oil Quantity [Litres]	
	i = 80-225		i = 250-400		D	L	M ₁	M ₂	A ₁	d ₁ ¹⁾	Y ²⁾			
	d	l	d	l								A ₂	D	L
C4..17	19	90	19	90	245	70	135	141	150	350	85	210	265	-
C4..18	24	100	24	100	260	80	160	158	170	395	95	255	355	-



SIZE	Foundation																							
	A	B	C	E	F	F ₁	F ₂	F ₃	h	H	O	O ₁	O ₂	P	P ₁	R	R ₁	S	S ₁	S ₂	S ₃	S ₄	T	T ₁
C4..17	350	696	210	250	210	210	220	310	180	764	18	18	18	115	190	210	350	32	60	40	20	90	495	655
C4..18	395	787	236	284	230	230	260	350	200	844	18	18	18	135	215	240	395	32	66	45	20	90	565	744

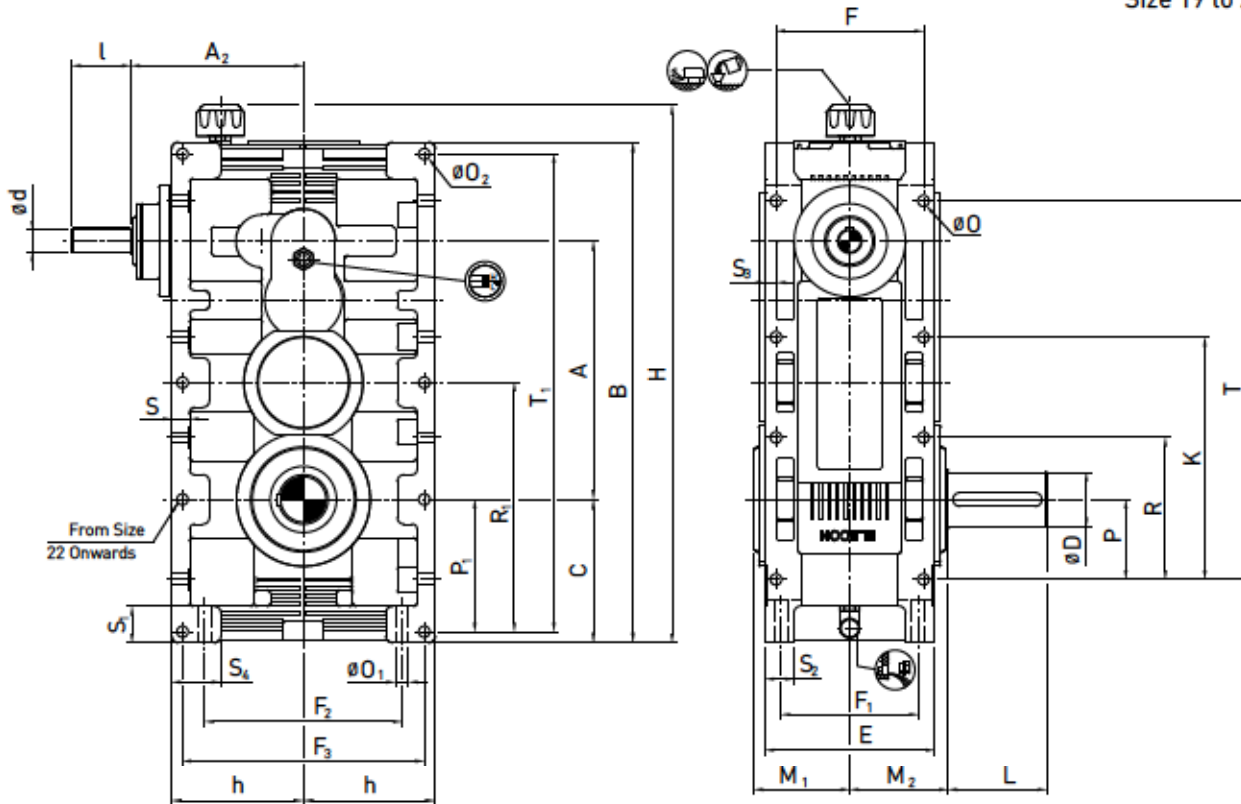
Modification of dimensions reserved.
Shaft ends with keys according to DIN 6885, Part 1, Shape A.
Shaft centering according to DIN 332, Shape DS (with thread)
Tolerance field for Shaft ends ISO fit, up to Ø50 k6; over Ø50 m6.

1) Max. dimensions; details acc. to order related documents
2) Approximate values; exact values acc. to order related documents

Compact Drive Gear Units

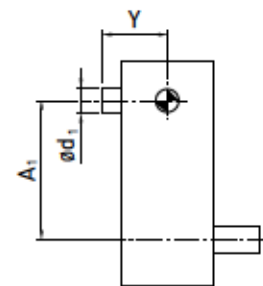
Over Driven

Type - C40
Quadruple Stage
Size 19 to 26



*For other shaft options refer page 125, 126 & 129 to 131

SIZE	Input Shaft i = 80-225 i = 100-315 i = 112-400		Input Shaft i = 250-400 i = 355-560 i = 450-560		Output Shaft						Backstop		Average Weight [kg]	Oil Quantity [Litres]
	d	l	d	l	A ₂	D	L	M ₁	M ₂	A ₁	d ₁ ¹⁾	Y ¹⁾		
C4..19	24	100	24	100	290	90	165	171	180	440	95	255	480	-
C4..20	28	100	24	100	310	100	200	176	200	495	95	255	645	-
C4..21	32	110	28	100	340	110	200	210	220	555	135	310	870	-
C4..22	38	110	32	110	375	120	210	220	230	620	135	310	1170	-
C4..23	42	130	38	110	415	140	250	234	260	700	140	310	1590	-
C4..24	48	130	42	130	460	160	290	283	295	785	175	415	2145	-
C4..25	52	130	48	130	510	170	300	293	305	880	175	415	2895	-
C4..26	58	135	52	130	560	190	350	306	345	990	190	415	3885	-



SIZE	Foundation																								
	A	B	C	E	F	F ₁	F ₂	F ₃	h	H	K	O	O ₁	O ₂	P	P ₁	R	R ₁	S	S ₁	S ₂	S ₃	S ₄	T	T ₁
C4..19	440	885	265	303	250	250	290	400	225	930		23	23	23	145	240	255	440	36	75	48.5	22	105	615	836
C4..20	495	987	288	314	270	270	340	440	250	1025		23	23	23	165	262	290	487	36	78	45	24	105	705	935
C4..21	555	1098	320	385	310	310	370	500	280	1140		27	27	27	180	295	315	545	45	85	65	28	120	780	1045
C4..22	620	1220	355	400	340	340	440	560	315	1260		27	27	27	200	325	355	605	45	90	60	28	120	880	1160
C4..23	700	1377	405	450	380	380	480	630	355	1425	655	33	33	33	220	370	405	685	55	110	70	35	150	985	1305
C4..24	785	1520	435	515	410	410	570	700	400	1555	740	33	33	33	245	398	450	753	55	110	87.5	35	150	1110	1443
C4..25	880	1690	475	535	460	460	670	800	450	1695	840	33	33	33	280	436	510	836	55	110	80	35	150	1245	1612
C4..26	990	1920	540	600	510	510	730	890	500	1920	940	39	39	39	315	495	575	945	65	130	100	45	175	1400	1830

Modification of dimensions reserved.
Shaft ends with keys according to DIN 6885, Part 1, Shape A.
Shaft centering according to DIN 332, Shape DS (with thread)
Tolerance field for Shaft ends ISO fit, up to ø50 k6; over ø50 m6.

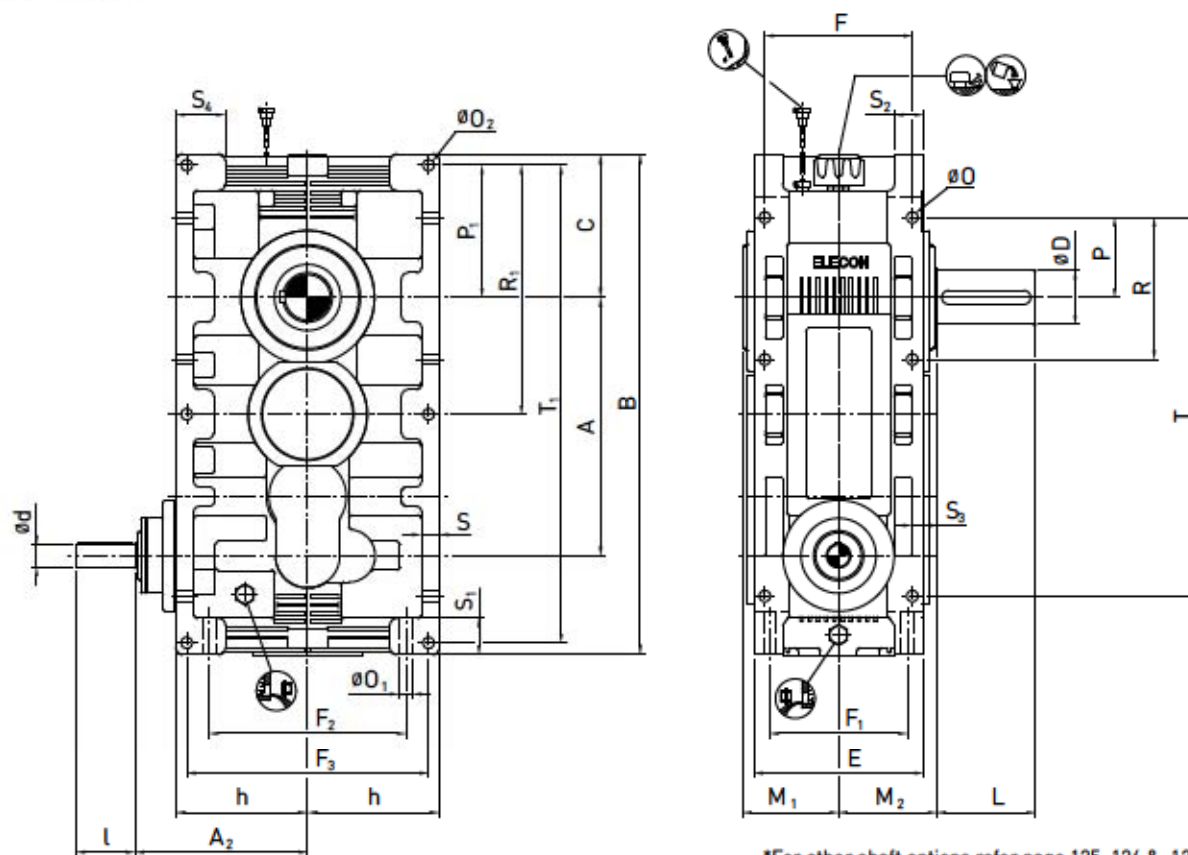
1) Max. dimensions; details acc. to order related documents
2) Approximate values; exact values acc. to order related documents

Type - C4U

Quadruple Stage
Size 17 to 18

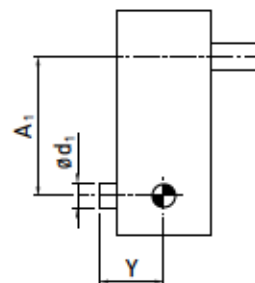
Under Driven

Compact Drive Gear Units



*For other shaft options refer page 125, 126 & 129 to 131

SIZE	Input Shaft				Output Shaft				Backstop			Average Weight [kg]	Oil Quantity [Litres]	
	d	l	d	l	A ₂	D	L	M ₁	M ₂	A ₁	d ₁ ¹⁾			Y ¹⁾
C4..17	19	90	19	90	245	70	135	141	150	350	85	210	265	-
C4..18	24	100	24	100	260	80	160	158	170	395	95	255	355	-



SIZE	Foundation																						
	A	B	C	E	F	F ₁	F ₂	F ₃	h	O	O ₁	O ₂	P	P ₁	R	R ₁	S	S ₁	S ₂	S ₃	S ₄	T	T ₁
C4..17	350	696	210	250	210	210	220	310	180	18	18	18	115	190	210	350	32	60	40	20	90	495	655
C4..18	395	787	236	284	230	230	260	350	200	18	18	18	135	215	240	395	32	66	45	20	90	565	744

Modification of dimensions reserved.

Shaft ends with keys according to DIN 6885, Part 1, Shape A.

Shaft centering according to DIN 332, Shape DS (with thread)

Tolerance field for Shaft ends ISO fit, up to Ø50 k6; over Ø50 m6.

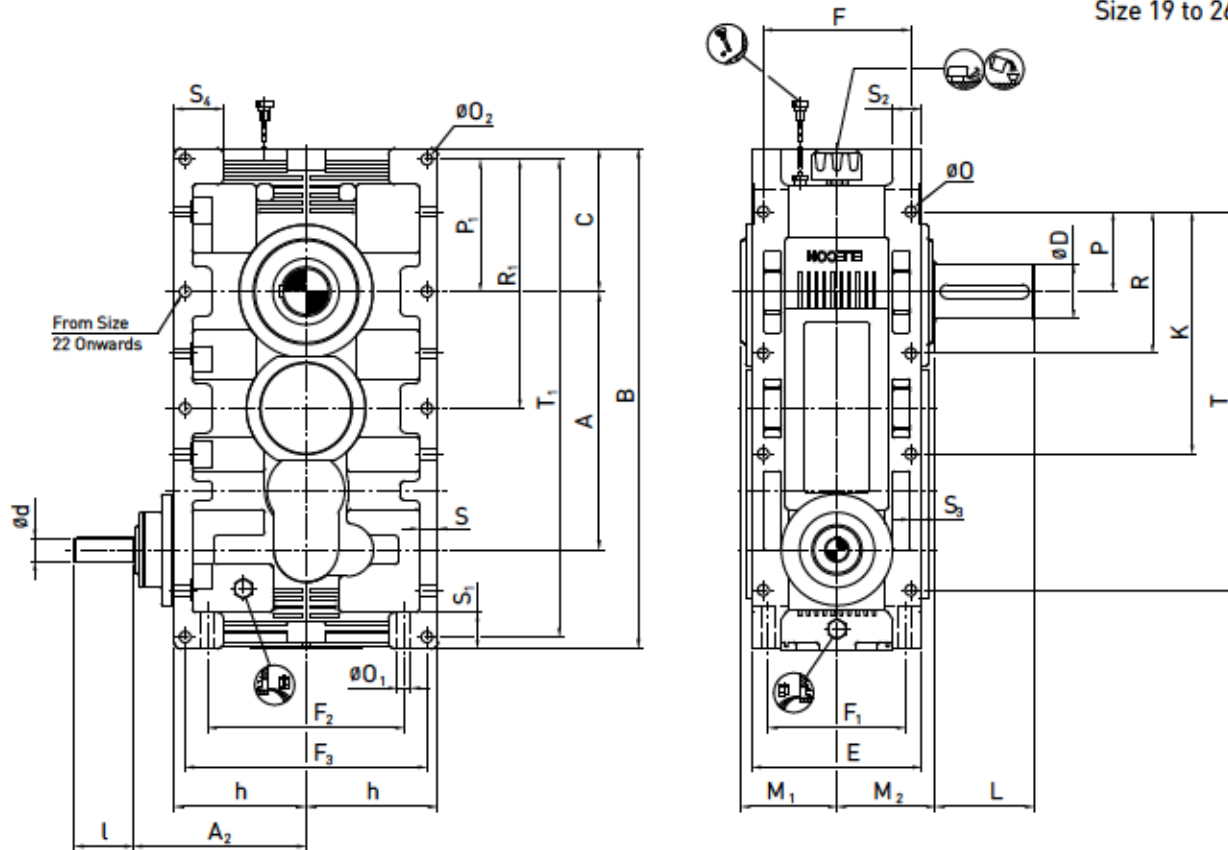
1) Max. dimensions; details acc. to order related documents

2) Approximate values; exact values acc. to order related documents

Compact Drive Gear Units

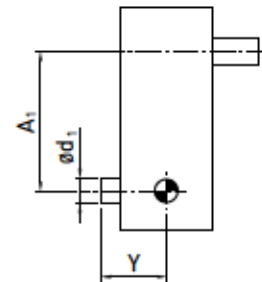
Under Driven

Type - C4U
 Quadruple Stage
 Size 19 to 26



*For other shaft options refer page 125, 126 & 129 to 131

SIZE	Input Shaft				Output Shaft				Backstop			Average Weight [kg]	Oil Quantity [Litres]	
	d	l	d	l	A ₂	D	L	M ₁	M ₂	A ₁	d ₁ ¹⁾			Y ¹⁾
C4..19	24	100	24	100	290	90	165	171	180	440	95	255	480	-
C4..20	28	100	24	100	310	100	200	176	200	495	95	255	645	-
C4..21	32	110	28	100	340	110	200	210	220	555	135	310	870	-
C4..22	38	110	32	110	375	120	210	220	230	620	135	310	1170	-
C4..23	42	130	38	110	415	140	250	234	260	700	140	310	1590	-
C4..24	48	130	42	130	460	160	290	283	295	785	175	415	2145	-
C4..25	52	130	48	130	510	170	300	293	305	880	175	415	2895	-
C4..26	58	135	52	130	560	190	350	306	345	990	190	415	3885	-



SIZE	Foundation																							
	A	B	C	E	F	F ₁	F ₂	F ₃	h	K	O	O ₁	O ₂	P	P ₁	R	R ₁	S	S ₁	S ₂	S ₃	S ₄	T	T ₁
C4..19	440	885	265	303	250	250	290	400	225		23	23	23	145	240	255	440	36	75	48.5	22	105	615	836
C4..20	495	987	288	314	270	270	340	440	250		23	23	23	165	262	290	487	36	78	45	24	105	705	935
C4..21	555	1098	320	385	310	310	370	500	280		27	27	27	180	295	315	545	45	85	65	28	120	780	1045
C4..22	620	1220	355	400	340	340	440	560	315		27	27	27	200	325	355	605	45	90	60	28	120	880	1160
C4..23	700	1377	405	450	380	380	480	630	355	655	33	33	33	220	370	405	685	55	110	70	35	150	985	1305
C4..24	785	1520	435	515	410	410	570	700	400	740	33	33	33	245	398	450	753	55	110	87.5	35	150	1110	1443
C4..25	880	1690	475	535	460	460	670	800	450	840	33	33	33	280	436	510	836	55	110	80	35	150	1245	1612
C4..26	990	1920	540	600	510	510	730	890	500	940	39	39	39	315	495	575	945	65	130	100	45	175	1400	1830

Modification of dimensions reserved.

Shaft ends with keys according to DIN 6885, Part 1, Shape A.

Shaft centering according to DIN 332, Shape DS (with thread)

Tolerance field for Shaft ends ISO fit, up to Ø50 k6; over Ø50 m6.

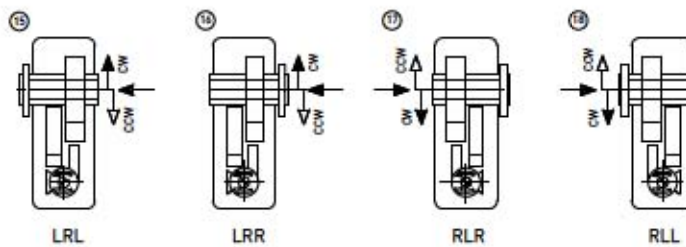
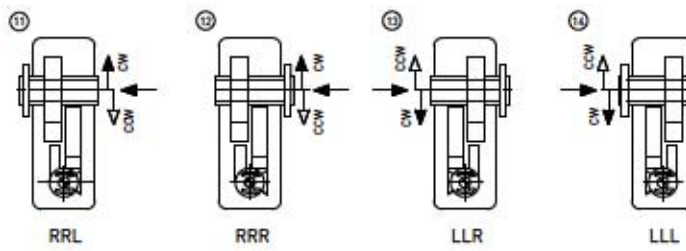
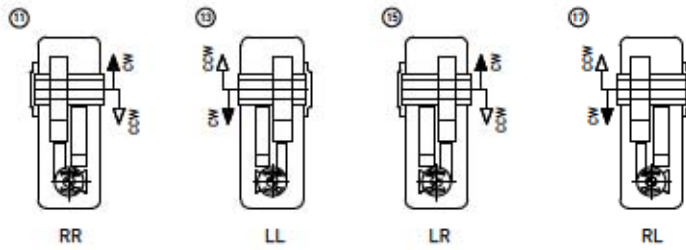
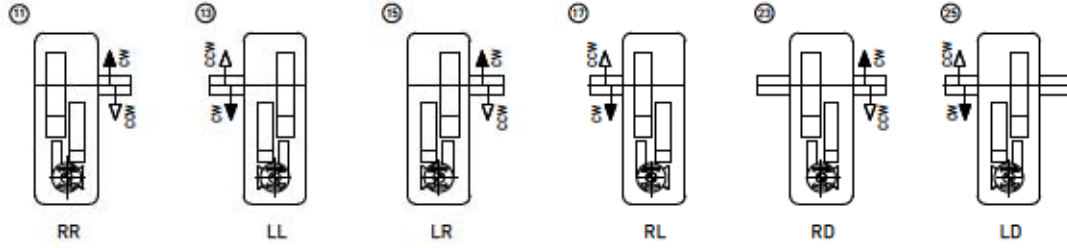
1) Max. dimensions; details acc. to order related documents

2) Approximate values; exact values acc. to order related documents

Type - C4
Quadruple Stage

Shaft Arrangement

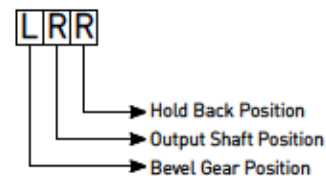
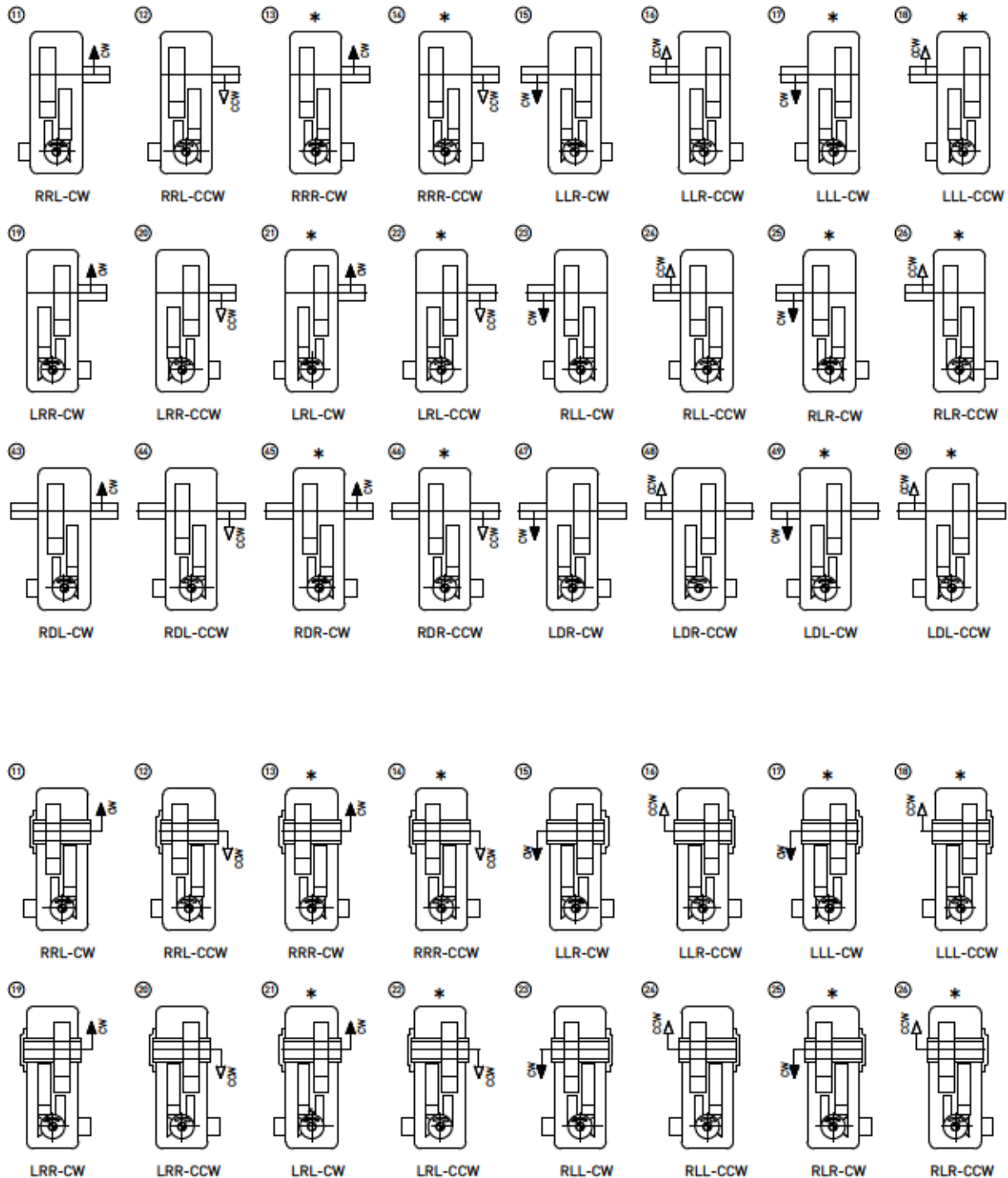
Compact Drive Gear Units



Compact Drive Gear Units

Shaft Arrangement - Hold Back

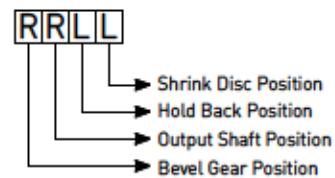
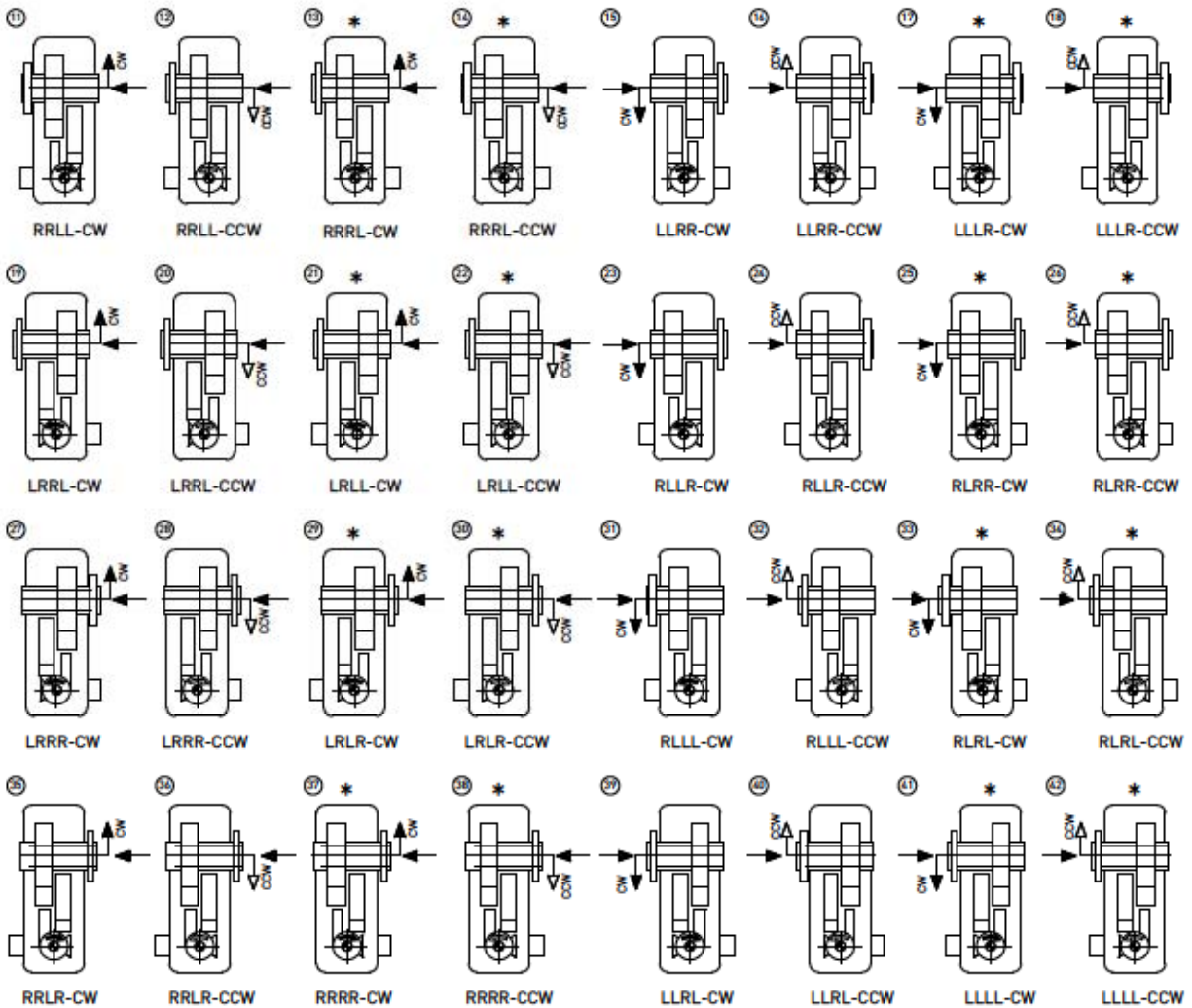
Type - C4
Quadruple Stage



Type - C4
Quadruple Stage

Shaft Arrangement - Hold Back

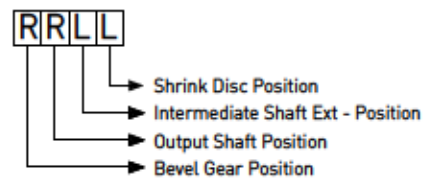
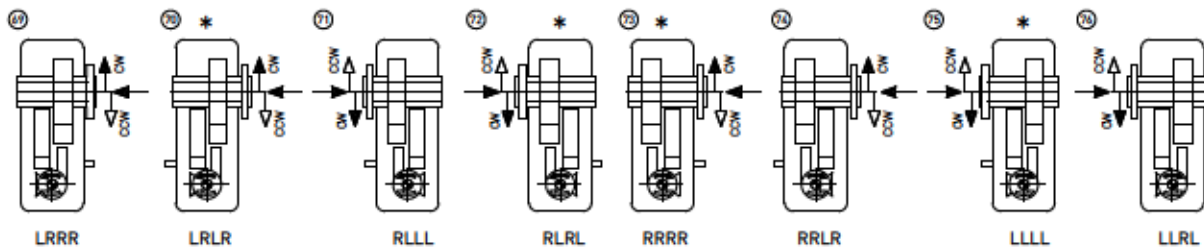
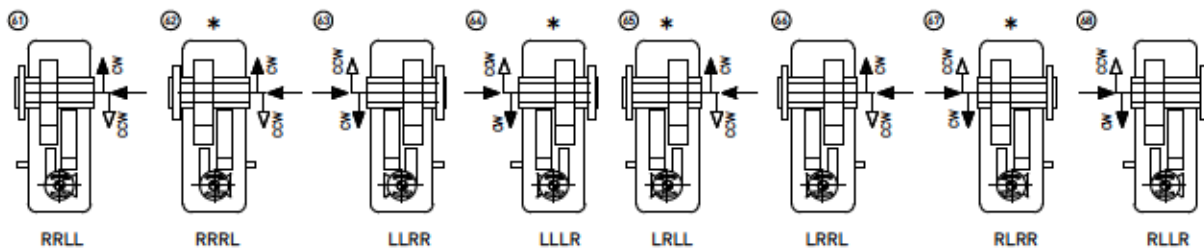
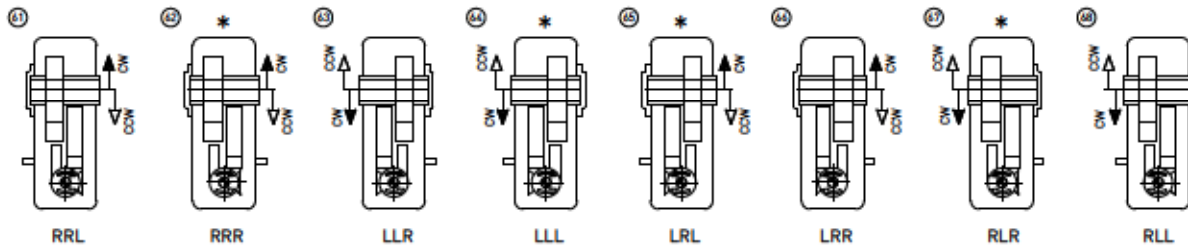
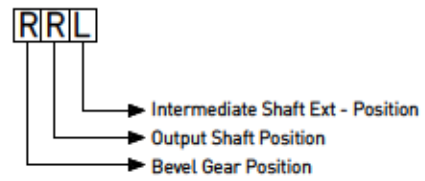
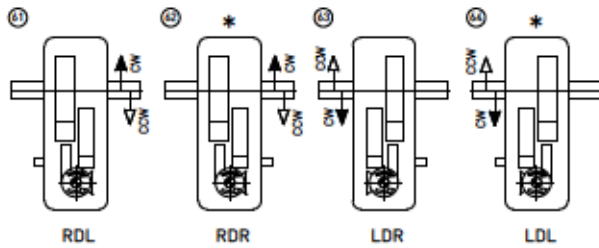
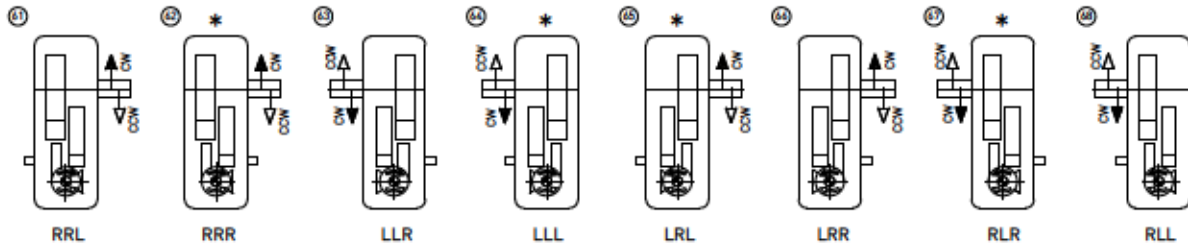
Compact Drive Gear Units



Compact Drive Gear Units

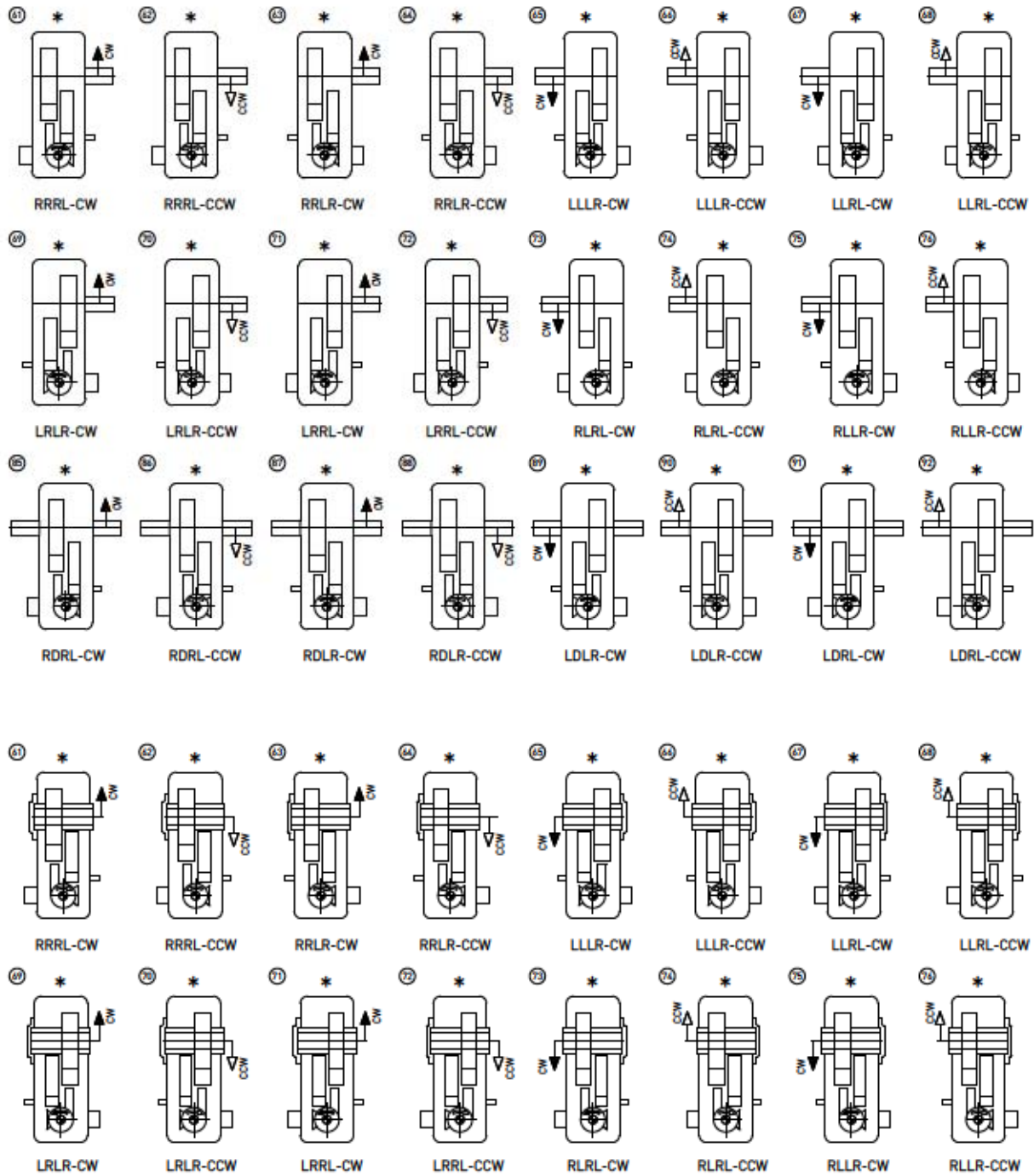
Shaft Arrangement - Int Ext

Type - C4
Quadruple Stage



Type - C4
Quadruple Stage

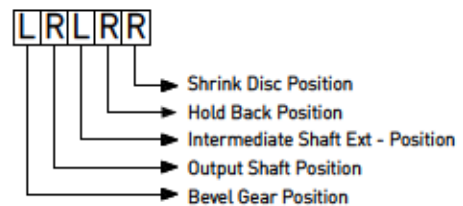
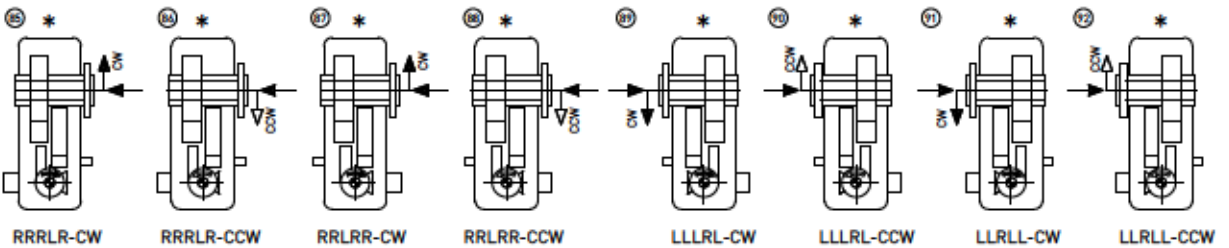
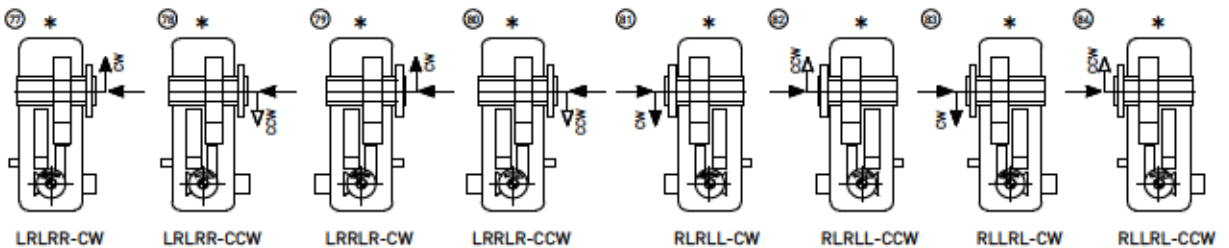
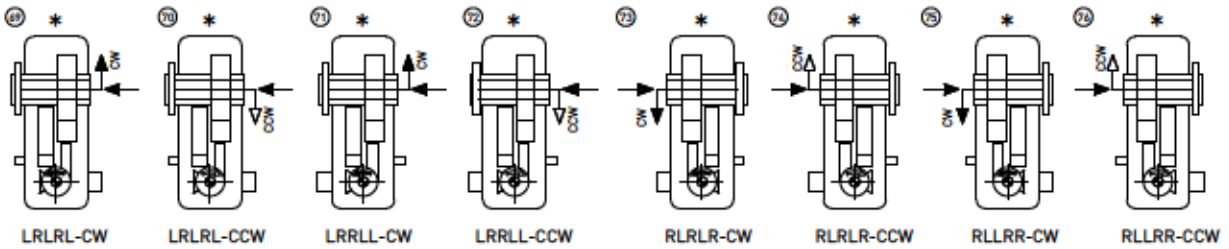
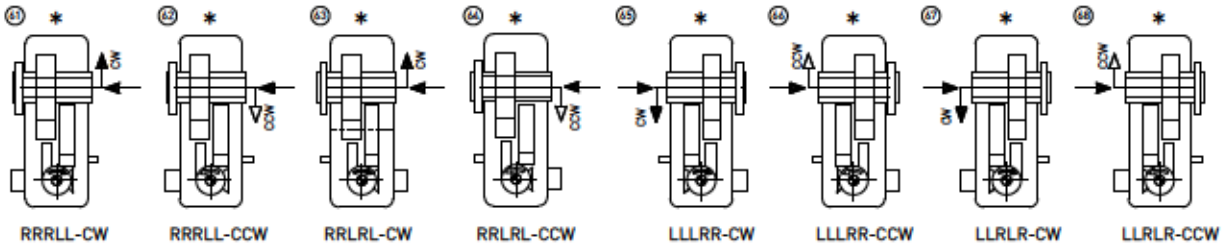
Shaft Arrangement - Int Ext & Hold Back Compact Drive Gear Units



Compact Drive Gear Units

Shaft Arrangement - Int Ext & Hold Back

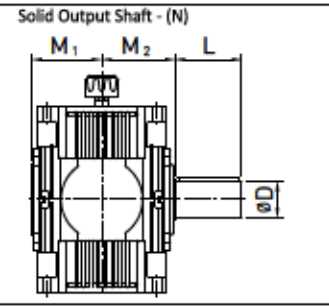
Type - **C4**
Quadruple Stage



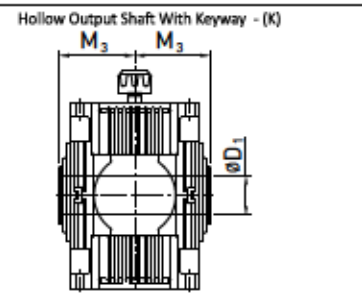
Helical / Bevel-Helical / Compact Drive Gear Units

Output Shaft Types

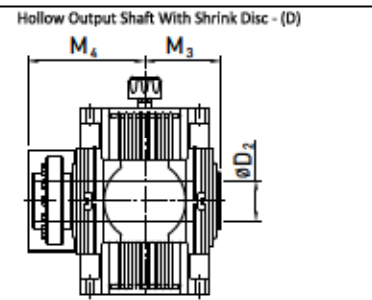
Size	Solid Output Shaft			
	D	L	M ₁	M ₂
11	32	55	93.5	105
12	38	60	101	110
13	45	95	106	115
14	48	95	106	125
15	55	95	127	135
16	60	130	132.5	145
17	70	135	141	150
18	80	160	158	170



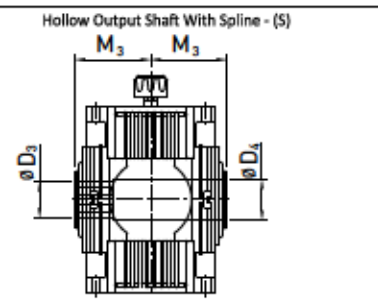
Size	Hollow Shaft Key	
	D ₁	M ₃
11	35	105
13	50	115
14	55	120
15	60	135
16	70	145
17	75	150
18	90	170



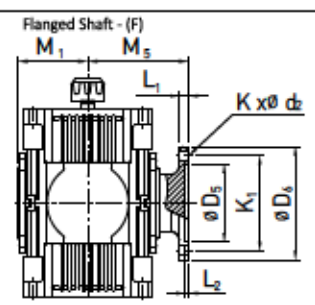
Size	Hollow Shaft (Shrink Disc)		
	D ₂	M ₃	M ₄
14	60	120	200
15	65	135	215
16	75	145	235
17	80	150	250
18	95	170	280



Size	Hollow Shaft (Spine)		
	D ₃	D ₄	M ₃
11	Dimensions on request		
13			
14			
15			
16			
17			
18			



Size	Flanged Shaft							
	D ₅	D ₆	K ₁	K x Ø d _z	L ₁	L ₂	M ₁	M ₅
11	Dimensions on request							
13								
14								
15								
16								
17								
18								

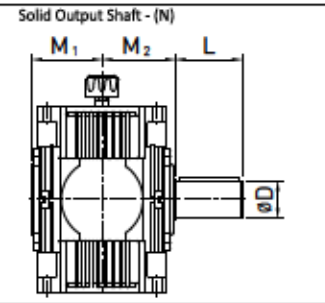


Modification of dimensions reserved.
Shaft ends with keys according to DIN 6885, Part 1, Shape A.
Shaft centering according to DIN 332, Shape DS (with thread)
Tolerance field for Shaft ends ISO fit, up to Ø50 k6; over Ø50 m6.

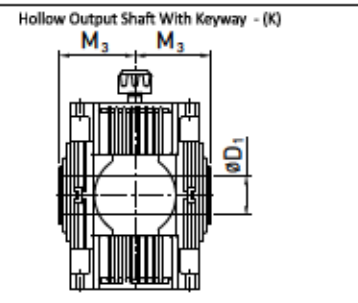
Output Shaft Types

Helical / Bevel-Helical / Compact Drive Gear Units

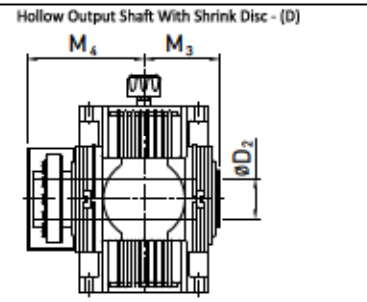
Size	Solid Output Shaft			
	D	L	M ₁	M ₂
19	90	165	170.5	180
20	100	200	176	200
21	110	200	210	220
22	120	210	220	230
23	140	250	234	260
24	160	290	282.5	295
25	170	300	292.5	305
26	190	350	305.5	345



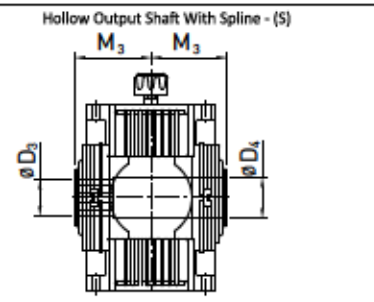
Size	Hollow Shaft Key	
	D ₁	M ₃
19	105	180
20	110	190
21	120	220



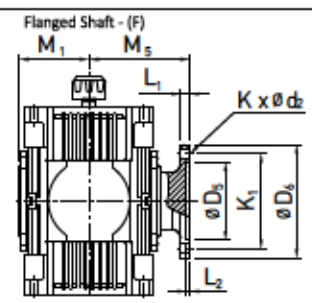
Size	Hollow Shaft (Shrink Disc)		
	D ₂	M ₃	M ₄
19	105	180	300
20	115	190	315
21	125	220	360
22	140	230	395
23	160	260	445
24	180	295	485
25	200	305	515
26	220	345	575



Size	Hollow Shaft (Spline)		
	D ₃	D ₄	M ₃
19	Dimensions on request	Dimensions on request	Dimensions on request
20			
21			
22			
23			
24			
25			
26			



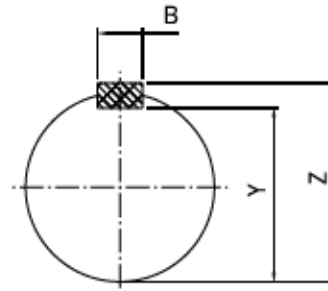
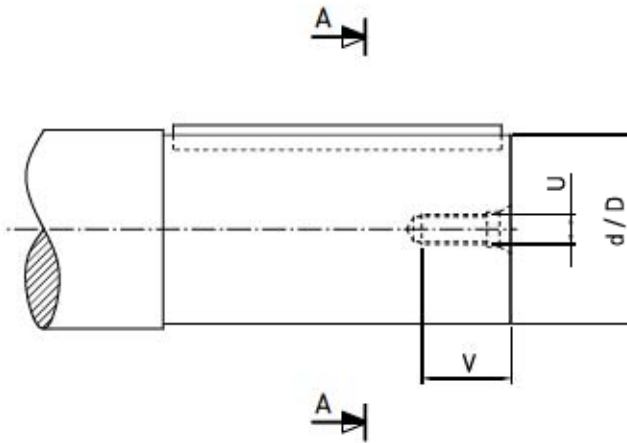
Size	Flanged Shaft							
	D ₅	D ₆	K ₁	K x Ø d _z	L ₁	L ₂	M ₁	M ₅
19	Dimensions on request	Dimensions on request	Dimensions on request	Dimensions on request	Dimensions on request	Dimensions on request	Dimensions on request	Dimensions on request
20								
21								
22								
23								
24								
25								
26								



Modification of dimensions reserved.
 Shaft ends with keys according to DIN 6885, Part 1, Shape A.
 Shaft centering according to DIN 332, Shape D5 (with thread)
 Tolerance field for Shaft ends ISO fit, up to Ø50 k6; over Ø50 m6.

Helical / Bevel-Helical / Compact Drive Gear Units

Solid Shaft Extension Details



SEC-AA

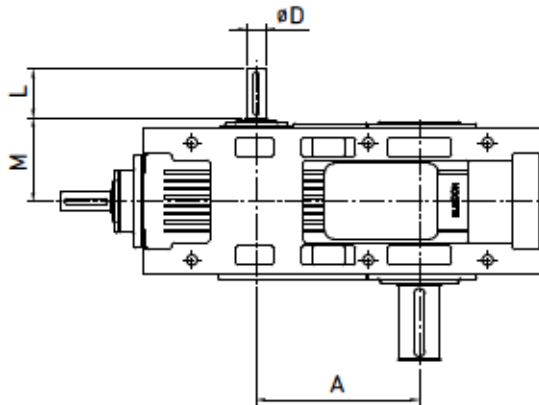
d / D	B	Y	Z	tol. on Z	U	V
19	6	15.5	21.5	-0.1	M6	16
20	6	16.5	22.5		M6	16
24	8	20	27		M8	19
25	8	21	28		M10	22
28	8	24	31		M10	22
30	8	26	33		M10	22
32	10	27	35		M12	28
35	10	30	38		M12	28
38	10	33	41		M12	28
40	12	35	43		M16	36
42	12	37	45		M16	36
45	14	39.5	48.5		M16	36
48	14	42.5	51.5		M16	36
50	14	44.5	53.5		M16	36
52	16	46	56	M20	42	
55	16	49	59	-0.2	M20	42
58	16	52	62		M20	42
60	18	53	64		M20	42
65	18	58	69		M20	42
70	20	62.5	74.5		M20	42
75	20	67.5	79.5		M20	42
80	22	71	85		M20	42
85	22	76	90		M20	42
90	25	81	95		M24	50
95	25	86	100		M24	50
100	28	90	106	-0.3	M24	50
105	28	95	111		M24	50
110	28	100	116		M24	50
115	32	104	122		M24	50
120	32	109	127		M24	50
130	32	119	137		M24	50
140	36	128	148		M30	60
145	36	133	153		M30	60
160	40	147	169		M30	60
170	40	157	179		M36	80
190	45	175	200	M36	80	

d / D	tol. field	tol
19-30	k6	+0.015 +0.002
32-50	k6	+0.018 +0.002
52-80	m6	+0.030 +0.011
85-120	m6	+0.035 +0.013
140-180	m6	+0.040 +0.015
190-250	m6	+0.046 +0.017

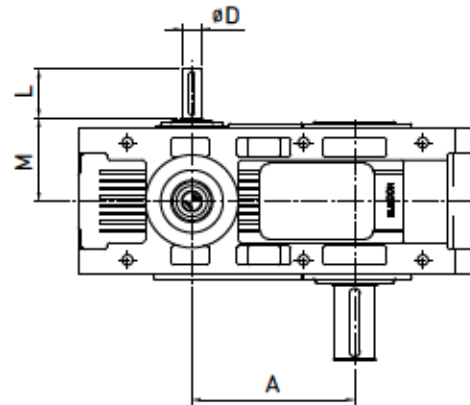
B	tol. field	tol
3 - 6	h9	0 -0.030
8 - 10		0 -0.036
12 - 18		0 -0.043
20 - 28		0 -0.052
32 - 50		0 -0.062

Bevel-Helical / Compact Drive Gear Units

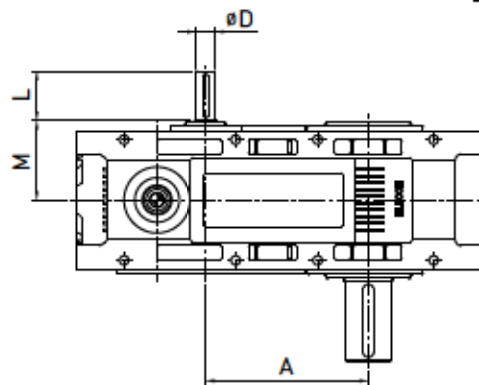
Additional Intermediate Shaft Extension Details



B2 / B3 / B4



C2 / C3



C4

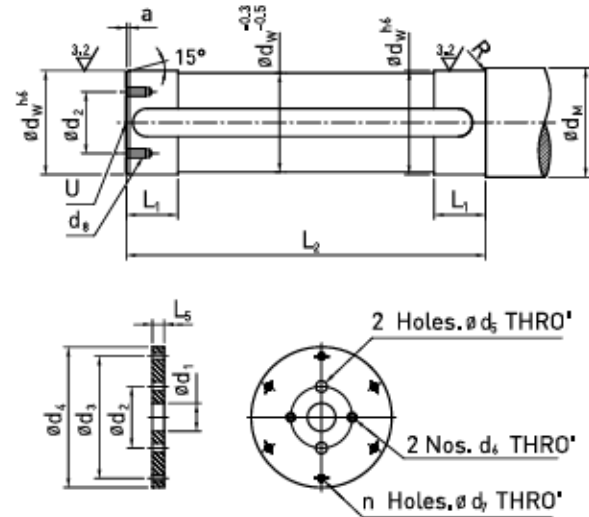
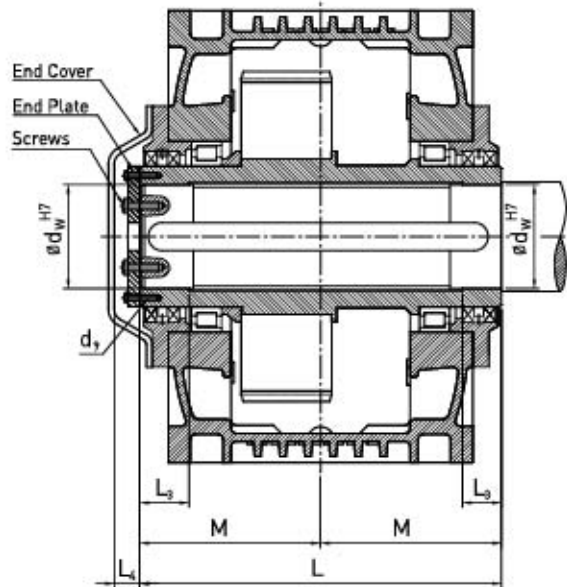
B2/C2				
Size	A	D	L	M
11	80	19	30	105
13	100	24	40	115
15	125	38	60	135
17	160	38	60	150
18	180	52	80	170
20	225	52	80	200
21	250	75	105	220
22	280	75	105	230
23	315	80	130	260
24	355	105	170	295
25	400	105	170	305
26	450	110	170	345

B3/B4/C3/C4				
Size	A	D	L	M
14	190	19	30	125
15	215	24	40	135
16	240	24	50	145
17	270	28	50	150
18	305	35	60	170
19	340	35	60	180
20	385	40	80	200
21	430	58	85	220
22	480	58	85	230
23	540	58	85	260
24	605	90	130	295
25	680	90	130	305
26	765	90	130	345

Modification of dimensions reserved.
 Shaft ends with keys according to DIN 6885, part 1, Shape A.
 Shaft centering according to DIN 332, shape DS (with thread)
 Tolerance field for shaft ends ISO fit, up to $\varnothing 50$ k6; over $\varnothing 50$ m6.

Helical/Bevel-Helical/Compact Drive Gear Units

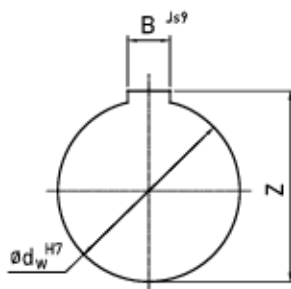
Hollow Output Shaft Design with Fitted Key



End Plate (Size 13 onwards)

Size	Hollow Shaft						Driven Machine Shaft						End Plate											
	d_w	L	M	L_3	L_4	d_9	d_w	d_M	d_2	d_8	L_1	L_2	a	R	U	d_1	d_2	d_3	d_4	d_5	d_6	d_7	n	L_5
11	35	210	105	30	23	M5 x 9	35	55	-	-	35	207	3	2.5	M10	-	-	-	-	-	-	-	-	-
13	50	230	115	45	23	M5 x 9	50	70	35	M8 x 16	50	227	3	2.5	M16	18	35	60	69.5	9	M8	5.5	4	8
14	55	240	120	50	25	M6 x 12	55	75	40	M8 x 16	55	237	4	2.5	M20	22	40	67.5	79	9	M10	6.6	4	8
15	60	270	135	55	25	M6 x 12	60	80	45	M10 x 20	60	267	4	2.5	M20	22	45	72.5	89	11	M10	6.6	6	8
16	70	290	145	65	25	M6 x 12	70	90	50	M10 x 20	70	287	4	2.5	M20	22	50	85	99	11	M10	6.6	6	8
17	75	300	150	70	30	M6 x 12	75	95	55	M10 x 20	75	297	5	4	M20	22	55	90	109	11	M10	6.6	6	10
18	90	340	170	85	30	M8 x 15	90	110	65	M10 x 20	90	337	5	4	M24	26	65	110	129	11	M10	9	4	10
19	105	360	180	100	32	M8 x 15	105	125	70	M12 x 25	105	357	5	4	M24	26	70	120	139	14	M12	9	4	10
20	110	380	190	110	32	M10 x 17	110	135	75	M12 x 25	115	377	5	4	M24	26	75	125	159	14	M12	11	4	12
21	120	440	220	120	32	M10 x 17	120	150	80	M12 x 25	130	437	6	6	M24	26	80	140	169	14	M12	11	4	12

Hollow Shaft Bore Details

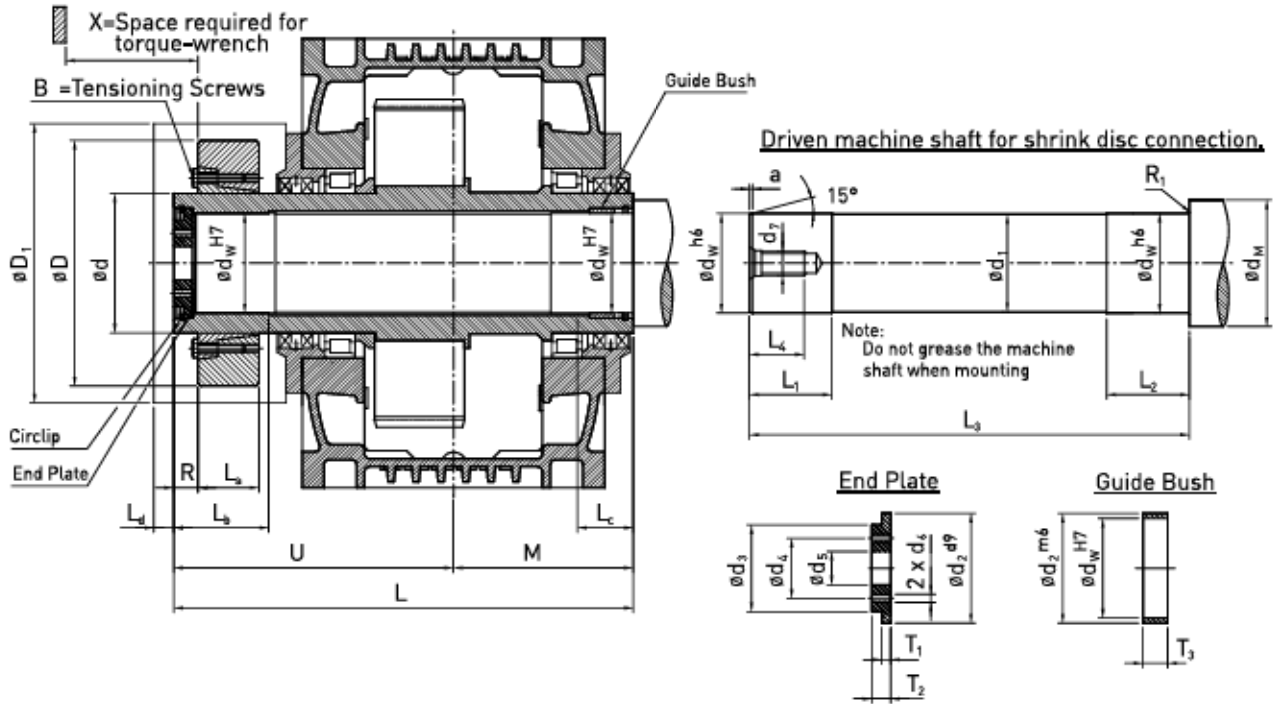


d_w	B	Z	tol. on Z
35	10	38	+0.2
50	14	53.5	
55	16	59	
60	18	64	
70	20	74.5	
75	20	79.5	
90	25	95	
105	28	111	
110	28	116	
120	32	127	

d_w	tol. field	tol
35	H7	+0.025
50		0
55		
60	H7	+0.030
70		0
75		
90	H7	+0.035
105		0
110		
120		

B	tol. field	tol
10	Js9	+0.018
12		-0.018
14		
16	Js9	+0.022
18		-0.022
20		
25	Js9	+0.026
28		-0.026
32		
	Js9	+0.031
		-0.031

Standard Shaft Mounting Position



Size	Hollow Shaft							Type	D	d	Shrink Disc				M _t (da Nm)	B	M _a (da Nm)	Weight (kg)
	d _w	L	L _b	L _c	U	M	R				D ₁	L _a	L _d					
14	60	300	50	30	180	120	17	80 - 60	141	80	160	31	20	319	M10	5.8	2.3	
15	65	330	55	35	195	135	17	90 - 65	155	90	185	38	20	540	M10	5.8	3.2	
16	75	360	65	40	215	145	20	100 - 75	170	100	200	43.5	20	720	M10	5.8	4.3	
17	80	380	80	41	230	150	26	110 - 80	185	110	220	49	20	1000	M12	10	5.8	
18	95	430	85	44	260	170	27	125 - 95	215	125	290	53.5	20	1650	M12	10	8.7	
19	105	460	95	49	280	180	32	140 - 105	230	140	320	58	20	2210	M14	16	10.3	
20	115	485	100	49	295	190	33	155 - 115	263	155	350	63	20	2950	M14	16	15.2	
21	125	555	120	68	335	220	35	165 - 125	290	165	380	68	25	4120	M16	24	21.5	
22	140	600	135	68	370	230	35	180 - 140	320	180	410	85.5	25	6400	M16	24	32.7	
23	160	680	155	73	420	260	37	220 - 160	370	220	480	105	25	10300	M20	47	53	
24	180	755	160	83	460	295	38	240 - 180	405	240	530	109	25	14000	M20	47	66	
25	200	795	180	88	490	305	46	260 - 200	430	260	550	120	25	18400	M20	47	82	
26	220	895	190	103	550	345	48	280 - 220	460	280	570	135	25	24000	M20	47	103	

Size	Driven Machine Shaft										End Plate						Guide Bush				
	d _w	d ₁	d _m (min)	R ₁	L ₁	L ₂	L ₃	L ₄	d ₇	a	d ₂	d ₃	d ₄	d ₅	d ₆	T ₁	T ₂	d _w	d ₂	T ₃	Circlip
14	60	59.5	80	1.5	45	65	286	42	M20	4	70	50	35	22	M6	5	13	60	70	17	70 x 2.5
15	65	64.5	85	1.5	50	70	316	42	M20	4	75	55	40	22	M8	5	13	65	75	22	75 x 2.5
16	75	74.5	95	1.5	55	75	342	42	M20	4	85	65	45	22	M8	7	17	75	85	23	85 x 3
17	80	79.5	100	1.6	70	90	362	42	M20	5	90	70	50	22	M8	7	17	80	90	24	90 x 3
18	95	94.5	120	1.6	70	90	408	50	M24	5	105	80	55	26	M10	8	20	95	105	24	105 x 4
19	105	104.5	130	1.6	80	100	438	50	M24	5	120	90	60	26	M10	8	20	105	120	29	120 x 4
20	115	114.5	140	1.6	85	105	463	50	M24	5	130	100	65	26	M10	8	20	115	130	29	130 x 4
21	125	124.5	160	2.5	85	110	530	50	M24	6	140	105	65	26	M12	10	23	125	140	45	140 x 4
22	140	139.5	170	2.5	105	130	575	60	M30	6	155	115	75	33	M12	10	23	140	155	45	155 x 4
23	160	159.5	190	2.5	130	155	655	60	M30	6	175	120	80	33	M12	10	23	160	175	50	175 x 4
24	180	179.5	210	2.5	130	160	725	60	M30	6	195	125	85	33	M16	12	28	180	195	55	195 x 4
25	200	199.5	240	4	150	180	765	60	M30	8	220	140	95	33	M16	12	28	200	220	60	220 x 5
26	220	219.5	260	4	165	195	865	80	M36	8	240	160	110	39	M20	12	28	220	240	75	240 x 5

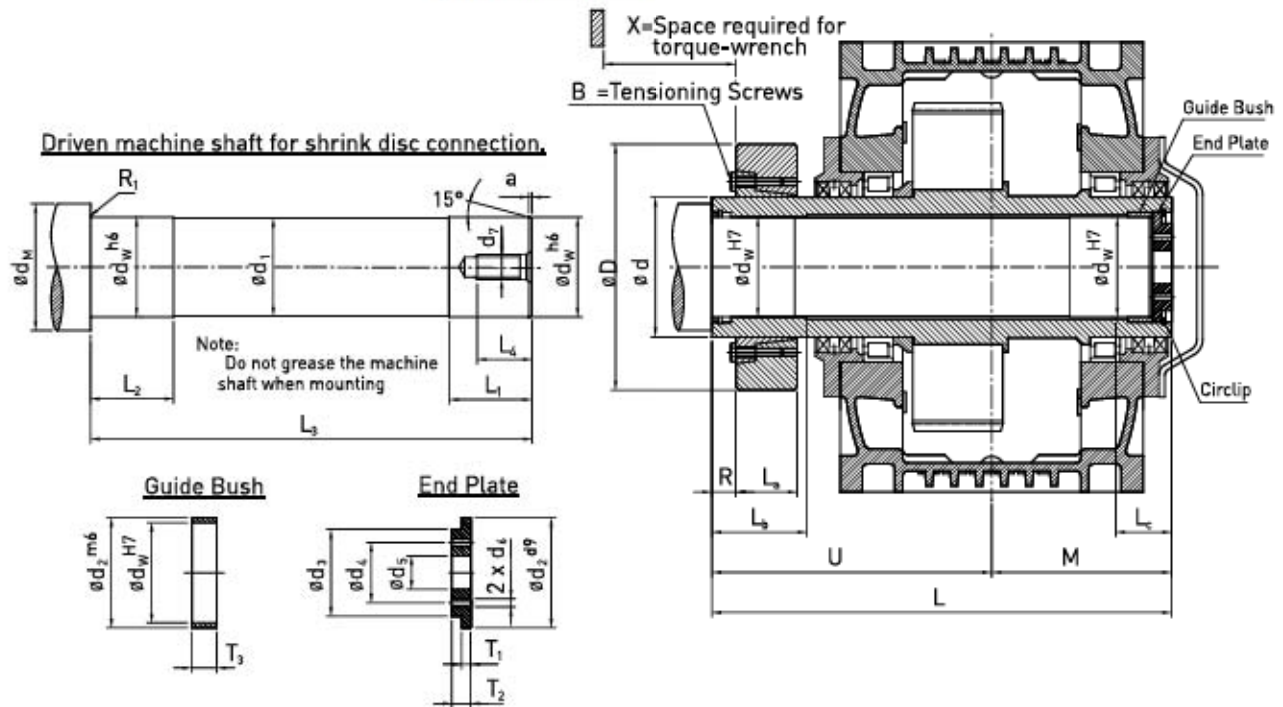
M_a = Required tightening torque.

M_t = Maximum torque transmitted by shrink disc.

Helical/Bevel-Helical/Compact Drive Gear Units

Hollow Output Shaft Design with Shrink Disc

Alternate Shaft Mounting Option



Size	Hollow Shaft							Type	D	d	Shrink Disc			M _t (da Nm)	B	M _a (da Nm)	Weight (kg)
	L	L _b	L _c	U	M	R	L _a				L _d						
14	60	300	50	30	180	120	17	80 - 60	141	80	31	25	319	M10	5.8	2.3	
15	65	330	55	35	195	135	17	90 - 65	155	90	38	25	540	M10	5.8	3.2	
16	75	360	65	40	215	145	20	100 - 75	170	100	43.5	25	720	M10	5.8	4.3	
17	80	380	80	41	230	150	26	110 - 80	185	110	49	30	1000	M12	10	5.8	
18	95	430	85	44	260	170	27	125 - 95	215	125	53.5	30	1650	M12	10	8.7	
19	105	460	95	49	280	180	32	140 - 105	230	140	58	32	2210	M14	16	10.3	
20	115	485	100	49	295	190	33	155 - 115	263	155	63	32	2950	M14	16	15.2	
21	125	555	120	68	335	220	35	165 - 125	290	165	68	32	4120	M16	24	21.5	
22	140	600	135	68	370	230	35	180 - 140	320	180	85.5	40	6400	M16	24	32.7	
23	160	680	155	73	420	260	37	220 - 160	370	220	105	40	10300	M20	47	53	
24	180	755	160	83	460	295	38	240 - 180	405	240	109	40	14000	M20	47	66	
25	200	795	180	88	490	305	46	260 - 200	430	260	120	40	18400	M20	47	82	
26	220	895	190	103	550	345	48	280 - 220	460	280	135	40	24000	M20	47	103	

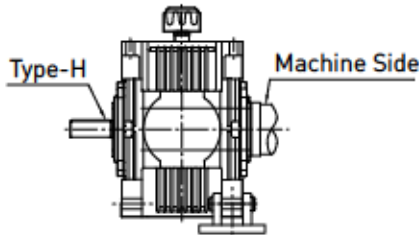
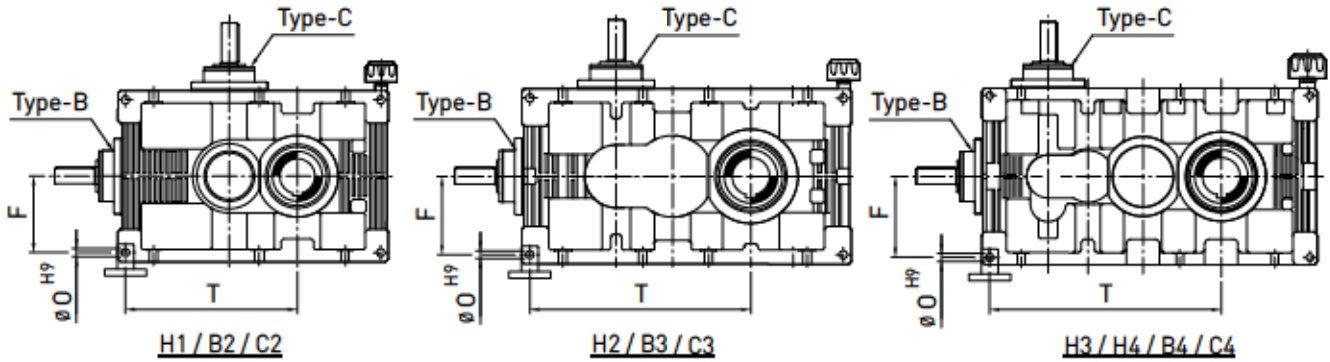
Size	Driven Machine Shaft										End Plate							Guide Bush			
	d _w	d ₁	d _m (min)	R ₁	L ₁	L ₂	L ₃	L ₄	d ₇	a	d ₂	d ₃	d ₄	d ₅	d ₆	T ₁	T ₂	d _w	d ₂	T ₃	Circlip
14	60	59.5	80	1.5	45	65	286	42	M20	4	70	50	35	22	M6	5	13	60	70	17	70 x 2.5
15	65	64.5	85	1.5	50	70	316	42	M20	4	75	55	40	22	M8	5	13	65	75	22	75 x 2.5
16	75	74.5	95	1.5	55	75	342	42	M20	4	85	65	45	22	M8	7	17	75	85	23	85 x 3
17	80	79.5	100	1.6	70	90	362	42	M20	5	90	70	50	22	M8	7	17	80	90	24	90 x 3
18	95	94.5	120	1.6	70	90	408	50	M24	5	105	80	55	26	M10	8	20	95	105	24	105 x 4
19	105	104.5	130	1.6	80	100	438	50	M24	5	120	90	60	26	M10	8	20	105	120	29	120 x 4
20	115	114.5	140	1.6	85	105	463	50	M24	5	130	100	65	26	M10	8	20	115	130	29	130 x 4
21	125	124.5	160	2.5	85	110	530	50	M24	6	140	105	65	26	M12	10	23	125	140	45	140 x 4
22	140	139.5	170	2.5	105	130	575	60	M30	6	155	115	75	33	M12	10	23	140	155	45	155 x 4
23	160	159.5	190	2.5	130	155	655	60	M30	6	175	120	80	33	M12	10	23	160	175	50	175 x 4
24	180	179.5	210	2.5	130	160	725	60	M30	6	195	125	85	33	M16	12	28	180	195	55	195 x 4
25	200	199.5	240	4	150	180	765	60	M30	8	220	140	95	33	M16	12	28	200	220	60	220 x 5
26	220	219.5	260	4	165	195	865	80	M36	8	240	160	110	39	M20	12	28	220	240	75	240 x 5

M_a = Required tightening torque.

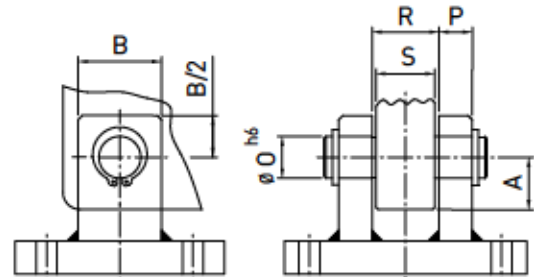
M_t = Maximum torque transmitted by shrink disc.

Helical/Bevel-Helical/Compact Drive Gear Units

Torque Arm Mounting (Shaft Mounting)



Torque Arm on Driven Machine Side



Torque Reaction Arm Details
(Torque Arm not supplied by Elecon)

H1 / B2 / C2

Size	F	T	O
11	80	200	10
13	105	266	15
15	135	321	18
17	175	402	20
18	200	448	24
20	250	563	28
21	285	630	28
22	320	694	36
23	360	787	40
24	400	861	48
25	450	958	48
26	505	1082	55

H2 / B3 / C3

Size	F	T	O
14	100	310	18
15	115	355	18
16	135	402	20
17	155	455	20
18	175	507	24
19	200	560	24
20	220	631	28
21	250	705	28
22	280	785	36
23	315	895	40
24	350	993	48
25	400	1092	48
26	445	1235	55

H3 / H4 / B4 / C4

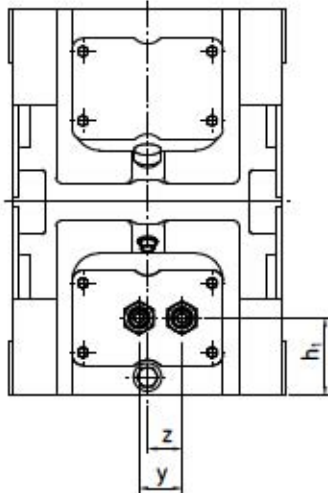
Size	F	T	O
16	135	418	20
17	155	465	20
18	175	529	24
19	200	596	24
20	220	673	28
21	250	750	28
22	280	835	36
23	315	935	40
24	350	1045	48
25	400	1176	48
26	445	1335	55

Size	O	A	B	P	R	S
11	10	20	20	10		
13	15	20	26	12		
14	18	25	30	12	39	36
15	18	25	30	12	48	45
16	20	25	32	16	41	38
17	20	25	32	16	43	40
18	24	25	40	20	48	45
19	24	25	40	20	52	48.5
20	28	30	45	25	50	45
21	28	30	45	25	70	65
22	36	35	60	32	65	60
23	40	40	65	36	75	70
24	48	50	80	40	92.5	87.5
25	48	50	80	40	85	80
26	55	55	90	45	105	100

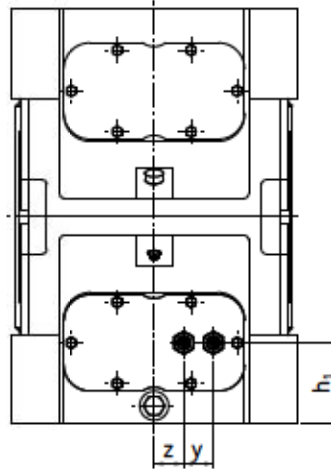
Modification of dimensions reserved.

Helical / Bevel-Helical / Compact Drive Gear Units

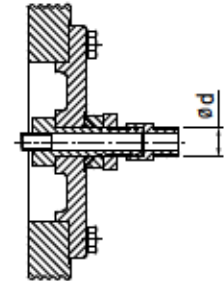
Cooling Coil



Size 17



Size 18 and above



Cooling Coil Connections

Size	H1			
	d	$h_1^{2)}$	y	z
11	Dimensions on request			
13				
15				
17				
18				
20				
21				
22				
23				
24				
25				
26				

Size	H2,H3,H4,B2,B3,B4,C2,C3 & C4			
	d	$h_1^{2)}$	y	z
11	Dimensions on request			
13				
14				
15				
16				
17				
18				
19				
20				
21				
22				
23				
24				
25				
26				

Built-in cooling coils of normal design suitable for fresh water.
[mains and recirculated water not to be chemically polluted]
Sea water and brackish water require cooling coils of special design.
Maximum permissible pressure of water : 8 bar.
The direction of flow of the water is optional.
Contact thermometers and water control valves can also be offered.

2) Approximate values; exact values acc. to order related documents

GD Square Values (kg-m²) - B2, B3, B4 / C2, C3, C4

Type	i _N	Gear unit Size														
		11	13	14	15	16	17	18	19	20	21	22	23	24	25	26
B2 C2	5	-	-	-	0.0329	-	-	0.2005	-	-	1.1220	-	-	6.4715	-	-
	5.6	-	0.0114	-	0.0318	-	-	0.1929	-	-	1.0842	1.8418	-	6.2213	10.9504	-
	6.3	0.0038	0.0110	-	0.0306	-	0.1044	0.1856	-	0.5898	1.0478	1.7804	3.2670	5.9807	10.5095	20.1875
	7.1	0.0038	0.0105	-	0.0296	-	0.1001	0.1785	-	0.5673	1.0125	1.7210	3.1574	5.7494	10.0863	19.5288
	8	0.0036	0.0102	-	0.0285	-	0.0968	0.1724	-	0.5483	0.9789	1.6631	3.0548	5.5805	9.7674	18.9378
	9	0.0030	0.0083	-	0.0233	-	0.0783	0.1409	-	0.4449	0.7886	1.3380	2.4473	4.4955	7.8683	15.2442
	10	0.0024	0.0069	-	0.0192	-	0.0644	0.1164	-	0.3663	0.6435	1.0830	1.9863	3.6575	6.4106	12.4238
	11.2	0.0021	0.0057	-	0.0158	-	0.0525	0.0963	-	0.3015	0.5253	0.8841	1.6217	2.9885	5.2424	10.1013
	12.5	0.0018	0.0048	-	0.0131	-	0.0435	0.0807	-	0.2499	0.4317	0.7197	1.3122	2.4492	4.2938	8.2713
	14	0.0015	0.0041	-	0.0108	-	0.0362	0.0680	-	0.2100	0.3567	0.5903	1.0761	2.0273	3.5610	6.8516
	16	0.0014	0.0035	-	0.0092	-	0.0299	0.0567	-	0.1754	0.2991	0.4905	0.8919	1.6979	2.9880	5.7323
	18	0.0012	0.0030	-	0.0078	-	0.0254	0.0485	-	0.1488	0.2487	0.4044	0.7304	1.4079	2.4804	4.8758
	20	0.0011	0.0027	-	0.0173	-	0.0222	0.0870	-	0.1310	0.5048	0.3491	0.6252	2.9313	2.1473	4.1493
	22.4	0.0009	-	-	0.0165	0.0285	0.0194	0.0803	0.1498	0.1152	0.4795	0.8760	0.5352	2.7888	4.7188	3.5311
B3 C3	25	-	-	0.0078	0.0130	0.0228	0.0388	0.0648	0.1180	0.2135	0.3815	0.6983	1.2320	2.1905	3.5663	6.6940
	28	-	-	0.0090	0.0153	0.0268	0.0415	0.0760	0.1383	0.2488	0.4418	0.8095	1.4475	2.5883	4.3400	7.9568
	31.5	-	-	0.0073	0.0120	0.0213	0.0323	0.0595	0.1090	0.1963	0.3515	0.6458	1.1413	2.0323	3.4060	6.1613
	35.5	-	-	0.0060	0.0098	0.0173	0.0265	0.0485	0.0885	0.1595	0.2863	0.5233	0.9300	1.6493	2.7660	5.0145
	40	-	-	0.0050	0.0080	0.0140	0.0215	0.0395	0.0718	0.1293	0.2340	0.4258	0.7548	1.3283	2.2255	4.0178
	45	-	-	0.0040	0.0065	0.0118	0.0175	0.0325	0.0588	0.1060	0.1935	0.3538	0.6210	1.0838	1.8013	3.2613
	50	-	-	0.0035	0.0055	0.0098	0.0145	0.0268	0.0483	0.0865	0.1603	0.2938	0.5110	0.8845	1.4708	2.6635
	56	-	-	0.0030	0.0045	0.0080	0.0120	0.0223	0.0398	0.0718	0.1340	0.2460	0.4233	0.7268	1.1975	2.1560
	63	-	-	0.0025	0.0038	0.0068	0.0100	0.0183	0.0335	0.0598	0.1130	0.2083	0.3553	0.6000	0.9820	1.7690
	71	-	-	0.0023	0.0033	0.0058	0.0085	0.0153	0.0278	0.0493	0.0943	0.1740	0.2965	0.5030	0.8160	1.4675
	80	-	-	0.0023	-	0.0058	0.0083	0.0234	0.0275	0.0490	0.1057	0.1730	0.2948	0.6429	0.8108	1.4575
	90	-	-	0.0020	-	0.0050	0.0073	0.0188	0.0238	0.0418	0.0847	0.1495	0.2498	0.5002	0.6688	1.1943
	100	-	-	0.0018	-	-	0.0063	0.0150	0.0210	0.0365	0.0678	0.1293	0.2198	0.3891	0.6774	1.0233
	B4 C4	112	-	-	-	-	-	0.0093	0.0120	0.0168	0.0306	0.0543	0.0972	0.1716	0.3027	0.5274
125		-	-	-	-	-	0.0087	0.0108	0.0147	0.0270	0.0480	0.0855	0.1515	0.2661	0.4665	0.8379
140		-	-	-	-	-	0.0099	0.0117	0.0150	0.0276	0.0483	0.0939	0.1599	0.2745	0.4833	0.8631
160		-	-	-	-	-	0.0078	0.0093	0.0120	0.0219	0.0393	0.0693	0.1218	0.2124	0.3744	0.6711
180		-	-	-	-	-	0.0093	0.0105	0.0126	0.0234	0.0414	0.0810	0.1359	0.2313	0.4101	0.7293
200		-	-	-	-	-	0.0075	0.0084	0.0102	0.0186	0.0336	0.0591	0.1032	0.1782	0.3171	0.5658
224		-	-	-	-	-	0.0051	0.0057	0.0072	0.0129	0.0234	0.0402	0.0726	0.1257	0.2268	0.4020
250		-	-	-	-	-	0.0048	0.0054	0.0066	0.0120	0.0219	0.0372	0.0675	0.1161	0.2109	0.3729
280		-	-	-	-	-	0.0048	0.0054	0.0063	0.0114	0.0207	0.0351	0.0633	0.1083	0.1977	0.3486
315		-	-	-	-	-	0.0048	0.0051	0.0060	0.0108	0.0195	0.0330	0.0597	0.1023	0.1875	0.3300
355		-	-	-	-	-	0.0048	0.0051	0.0057	0.0102	0.0186	0.0315	0.0570	0.0978	0.1794	0.3156
400		-	-	-	-	-	0.0045	0.0048	0.0054	0.0099	0.0180	0.0303	0.0549	0.0936	0.1725	0.3027
450		-	-	-	-	-	0.0045	-	0.0054	0.0099	-	0.0303	0.0546	-	0.1722	0.3024
500		-	-	-	-	-	0.0045	-	0.0051	0.0096	-	0.0294	0.0534	-	0.1680	0.2943
560	-	-	-	-	-	0.0039	-	0.0045	0.0081	-	0.0246	0.0426	-	0.1353	0.2538	